

---

ABB MEASUREMENT & ANALYTICS | DATA SHEET

# WaterMaster

## Electromagnetic flowmeter



---

## Measurement made easy

The perfect fit for all water and waste water applications

---

### State-of-the-art technology

- revolutionary data storage enables transmitter interchange and commissioning without the need for re-configuration
- self-calibrating transmitter with ultra-low temperature coefficient for highest accuracy

---

### Versatile and simple configuration

- 'Through-the-Glass' (TTG) configuration eliminating the need to remove the cover
- smart key based functionality
- 'Easy Setup' function

---

### VeriMaster in situ verification software option

- enables the customer to perform in situ verification of the flowmeter system

---

### Unparalleled service ability

- fault-finding Help texts on the display
- minimized downtime with replaceable electronics cartridges

---

### MID and OIML R49 approved with R49 self-checking

- type-approved to accuracy Class 1 and Class 2 for any pipe orientation and bidirectional flows
- type P-approved continuous self-checking of the sensor and transmitter to ensure the highest accuracy and long-term performance

## The Company

ABB is an established world force in the design and manufacture of instrumentation for industrial process control, flow measurement, gas and liquid analysis and environmental applications.

As a world leader in process automation technology our worldwide presence, comprehensive service and application-oriented know-how make ABB a leading supplier of flow measurement products.

## Introduction

### Setting the standard for the Water Industry

The WaterMaster range, available in sizes 10 to 2400 mm (¾ to 96 in.), is designed specifically for use on the many diverse applications encountered in the Water and Waste-water industry. The modular design concept offers flexibility, cost-saving operation and reliability while providing a long service life and exceptionally low maintenance.

Integration into ABB asset management systems and use of the self-monitoring and diagnostic functions increase the plant availability and reduce downtimes.

### VeriMaster – the verification tool

An easy-to-use utility, available through the infra red service port. Uses the advanced self-calibration and diagnostic capability of WaterMaster, coupled with fingerprinting technology, to determine the accuracy status of the WaterMaster flowmeter to within  $\pm 1\%$  of its original factory calibration. VeriMaster also supports printing of calibration verification records for regulatory compliance.



### Diagnostic functions

Using its diagnostic functions, the flowmeter monitors both its own operability and the process. Limit values for the diagnostic parameters can be set locally. When these limits are exceeded, an alarm is tripped. In the event of an error, diagnostic-dependent help text appears on the display. This considerably simplifies and accelerates the troubleshooting procedure.

In accordance with NAMUR NE107, alarms and warnings are classified with the status of 'Maintenance Required', 'Check Function', 'Failure' and 'Out of Specification'.

### Flow performance

Utilizing its advanced filtering methods, the WaterMaster improves accuracy even under difficult conditions.

WaterMaster has an operating flow range with  $\pm 0.4\%$  accuracy as standard ( $\pm 0.2\%$  optional) in both forward and reverse flow directions.

### Easy and quick commissioning

'Fit-and-Flow' data storage inside WaterMaster eliminates the need to match sensor and transmitter in the field. On initial installation, the self-configuration sequence automatically replicates into the transmitter all calibration factors, meter size and serial numbers, as well as customer site-specific settings, eliminating the potential for error.

### Intuitive, convenient navigation

The 'Easy Setup' function reliably guides unpracticed users through the menu step by step. The smart key based functionality makes handling a breeze – it's just like using a cell phone. During configuration, the permissible range of each parameter is indicated on the display and invalid entries are rejected.

### Universal transmitter – powerful and flexible

The backlit display can be rotated easily without the need for tools. The contrast is adjustable and the display fully-configurable. The character size, number of lines and display resolution (number of decimal points) can be set as required. In multiplex mode, several different display options can be pre-configured and invoked one after the other. The smart modular design of the transmitter unit enables easy disassembly without the need to unscrew cables or unplug connectors. HART is used as the standard communications protocol. Optionally, the transmitter is available with PROFIBUS DP or MODBUS communication.

### Assured quality

WaterMaster is designed and manufactured in accordance with international quality procedures (ISO 9001) and all flowmeters are calibrated on nationally-traceable calibration rigs to provide the end-user with complete assurance of both quality and performance of the flowmeter.



## ...Introduction

### WaterMaster – always the first choice

WaterMaster sets the standard for the water industry. The specification, features and user benefits offered by this range are based on ABB's worldwide experience in this industry and they are all targeted specifically to the industry's requirements.

### Submersible and buriable

WaterMaster sensors have a rugged, robust construction to ensure a long, maintenance-free life under the arduous conditions experienced in the Water and Waste Industry. The sensors are, as standard, inherently submersible (IP68, NEMA 6P), thus ensuring suitability for installation in chambers and metering pits that are susceptible to flooding.

A unique feature of the WaterMaster sensors is that sizes DN40 to DN2400 (1½ to 96 in. NB) are buriable; installation simply involves excavating to the underground pipe, fitting the sensor, cabling back to the transmitter and then backfilling the hole.



The WaterMaster family

### Overview of the WaterMaster

A wide range of features and user benefits are built into WaterMaster as standard:

- bi-directional flow
- unique self-calibrating transmitter (patented) for the ultimate in stability and repeatability
- OIML-type continuous self-checking, with alarms, ensures both sensor and transmitter accuracy
- true electrode and coil impedance measurement
- comprehensive simulation mode
- universal switch-mode power supply (options are available for AC and DC supplies)
- comprehensive self-diagnostics compliant with NAMUR NE107
- programmable multiple-alarm capability
- bus options: HART (4 to 20 mA), PROFIBUS DP (RS485), MODBUS (RS485)
- 3 configurable pulse / frequency and alarm outputs
- advanced infrared service port supports remote HMI, HART, cyclic data out and parameter download
- VeriMaster in situ verification software available as option
- read-only switch and ultra-secure service password for total security

**OIML / MID approved**

WaterMaster has been type tested and Internationally approved to the highest accuracy class 1 and 2 for cold and hot potable water meters – OIML R49-1 (Organisation Internationale de Métrologie Légale). For full details, OIML R49 is available to download from [www.oiml.org](http://www.oiml.org). Its requirements are very similar to other International standards, such as EN14154 and ISO4064.

WaterMaster has been assessed by type approval at the National Measurement Office (NMO) to OIML R49 and passed to the very highest accuracy designations for sizes DN40 to DN200 (1½ to 8 in. NB).

The approval is for:

- Class 1 and Class 2 accuracy (calibration option)
- Environmental class T50 for water temperatures of 0.1 to 50 °C (32.18 to 122 °F)
- Electromagnetic Environment E2 (10 V/m)
- Any pipe orientation
- 5 Diameters upstream pipe
- 0 Diameters downstream pipe
- Pressure Loss Class <0.25 bar (3.62 psi)
- Integral or remote transmitter (<200 m [ $<656$  ft.] cable)
- DN40 to DN200 (1½ to 8 in. NB), bi-directional flow

A major advance in WaterMaster is the self-checking capabilities that meet and exceed the R49 requirements and is the first electromagnetic flowmeter to be approved to OIML Type P permanent self checking during normal operation (not just at startup) and alarm indication for:

- transmitter and sensor status, with an accuracy alarm
- program ROM and RAM status
- double, independent storage of totalizer values, in both the sensor and transmitter non-volatile memories
- display test

The OIML R49-1 certificate of conformity is available from:

<http://www.abb.com/product/seitp330/b42ec2377d3293cdc12573de003db93b.aspx>

WaterMaster is also approved under the EU Measuring Instruments Directive (MID) 2004/22/EC, that covers putting into use water flowmeters for certain applications. MID WaterMaster is secured against tampering and is available as an option, along with fingerprinting for ABB VeriMaster in situ verification product, with certificate printout to  $\pm 1$  % accuracy.

WaterMaster certificates of EC type-examination of a measuring instrument are available from:

<http://www.abb.com/product/seitp330/b42ec2377d3293cdc12573de003db93b.aspx>

**Superior control through advanced sensor design**

The innovative, patented octagonal sensor design improves flow profile and reduces up- and down-stream piping requirements for the most commonly used sizes of 40 to 200 mm (1½ to 8 in.). This optimized full bore meter provides impressive results in the most difficult of installation requirements.

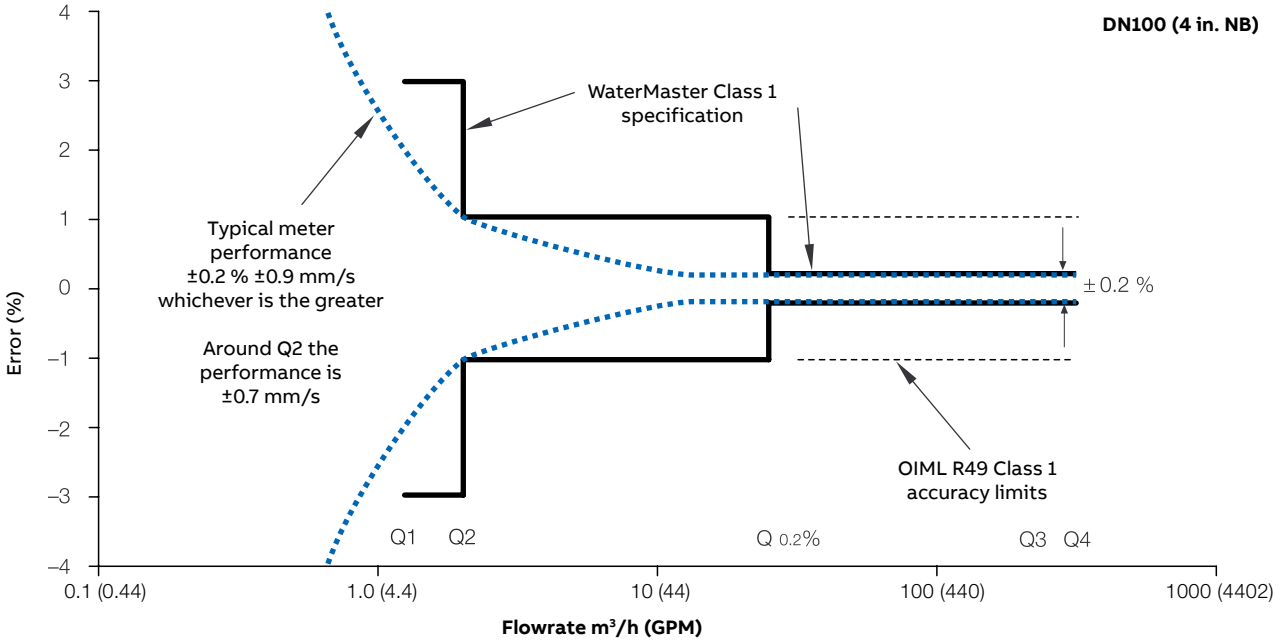


WaterMaster sensors are also available in reduced-bore geometries giving the ultimate in low-flow performance with a very high turn-down range.

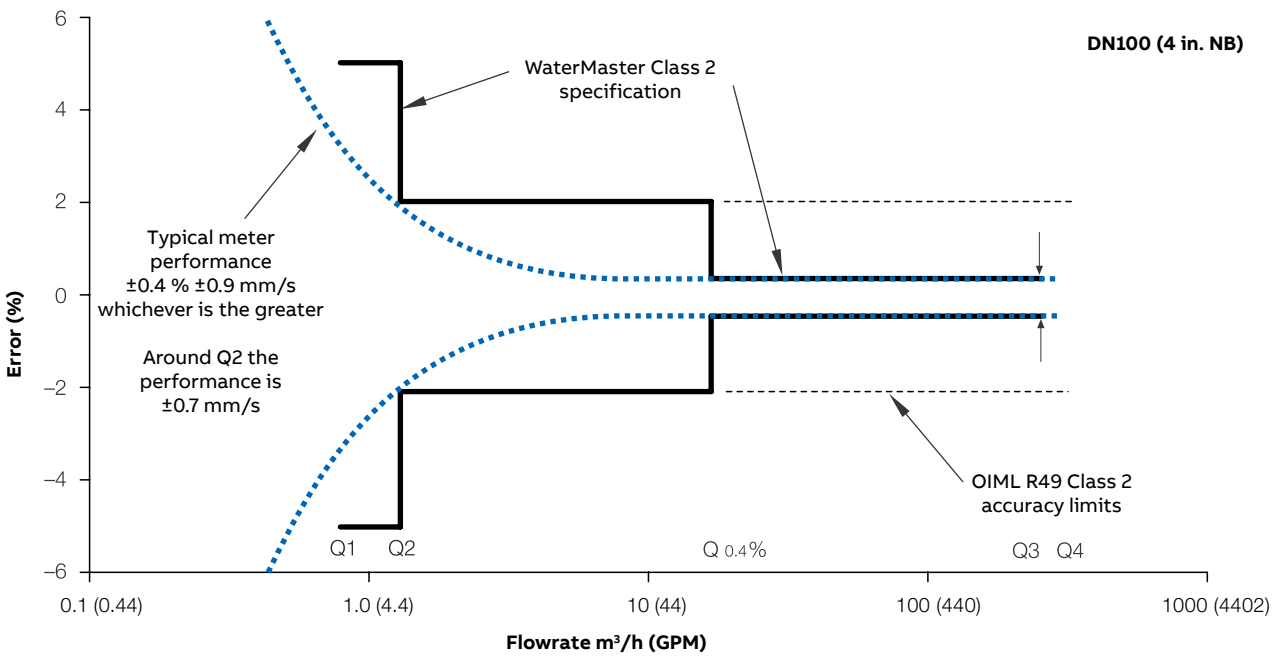
The unique design of the reduced-bore sensor conditions the flow profile in the measuring section so that distortions in the flow profile, either upstream or downstream, are flattened. The result is excellent in situ flowmeter performance, even with very bad hydraulic installation conditions.

## Specification

### WaterMaster specification to OIML R49 Class 1



### WaterMaster specification to OIML R49 Class 2



Although OIML R49 does not define the flow accuracy below Q1, WaterMaster continues to measure flow at lower flow rates down to a cutoff velocity of  $\pm 5 \text{ mm/s}$  ( $\pm 0.2 \text{ in./s}$ ). The accuracy between cutoff and Q1 is typically  $\pm 0.9 \text{ mm/s}$  ( $\pm 0.04 \text{ in./s}$ ).

**WaterMaster optimized full-bore meter (FEV) / full-bore meters (FEF, FEW) flow performance – m<sup>3</sup>/h**

DN	Q4	Q3	Standard Calibration – 0.4 % Class 2			High Accuracy Calibration – 0.2 % Class 1		
			Q <sub>0.4%</sub>	Q2	Q1	Q <sub>0.2%</sub>	Q2	Q1
10	3.1	2.5	0.167	0.013	0.008	0.31	0.02	0.012
15	7.88	6.3	0.42	0.032	0.02	0.79	0.05	0.03
20	12.5	10	0.67	0.05	0.032	1.25	0.08	0.05
25	20	16	1.1	0.08	0.05	2	0.13	0.08
32	31.25	25	1.67	0.13	0.08	3	0.20	0.13
40*	50	40	4.2	0.2	0.13	6	0.32	0.2
50*	79	63	4.2	0.32	0.20	7.9	0.5	0.32
65*	125	100	6.7	0.5	0.32	12.5	0.8	0.5
80*	200	160	10.7	0.81	0.51	16	1.3	0.8
100*	313	250	16.7	1.3	0.79	25	2	1.25
125*	313	250	16.7	1.3	0.79	25	2	1.25
150*	788	630	42	3.2	2.0	63	5	3.2
200*	1,250	1,000	67	5.1	3.2	100	8	5
250	2,000	1,600	107	8.1	5.1	160	13	8
300	3,125	2,500	167	12.7	7.9	250	20	12.5
350	5,000	4,000	267	20.3	12.7	400	32	20
400	5,000	4,000	267	20.3	12.7	400	32	20
450	7,875	6,300	420	32	20	630	50	32
500	7,875	6,300	420	32	20	630	50	32
600	12,500	10,000	667	51	32	1000	80	50
700	20,000	16,000	1600	102	64	1600	160	100
750	20,000	16,000	1600	102	64	1600	160	100
30 in. (750)	20,000	16,000	1600	102	64	1600	160	100
800	20,000	16,000	1600	102	64	1600	160	100
900	31,250	25,000	2500	160	100	2500	250	156
1000	31,250	25,000	2500	160	100	2500	250	156
42 in	31,250	25,000	2500	160	100	2500	250	156
1100	31,250	25,000	2500	160	100	2500	250	156
1200	50,000	40,000	4000	256	160	4000	400	250
1350	78,750	63,000	6300	403	252	6300	630	394
1400	78,750	63,000	6300	403	252	6300	630	394
1500	78,750	63,000	6300	403	252	6300	630	394
60 in. (1500)	78,750	63,000	6300	403	252	6300	630	394
1600	78,750	63,000	6300	403	252	6300	630	394
1650	78,750	63,000	6300	403	252	6300	630	394
1800	125,000	100,000	10000	640	400	10000	1000	625
1950	125,000	100,000	10000	640	400	10000	1000	625
2000	125,000	100,000	10000	640	400	10000	1000	625
2200	200,000	160,000	16000	1024	640	16000	1600	1000
2400	200,000	160,000	16000	1024	640	16000	1600	1000

\* OIML R49 Certificate of Conformance to Class 1 and Class 2, with OIML R49 and MID versions available.

**Note:** OIML R49–1 allow Class 1 only for meters with Q3 <sup>3</sup> 100 m<sup>3</sup>/h. Meters outside this range have been tested and conform to Class 1.



## ...Specification

### WaterMaster optimized full-bore meter (FEV) / full-bore meters (FEF, FEW) flow performance – gal/min

NPS/NB (DN)	Standard Calibration 0.4 % Class 2					High Accuracy Calibration 0.2 % Class 1		
	Q4	Q3	Q <sub>0.4%</sub>	Q2	Q1	Q <sub>0.2%</sub>	Q2	Q1
3/8 (10)	13.8	11	0.73	0.06	0.035	1.38	0.09	0.053
1/2 (15)	34.7	27.7	1.85	0.14	0.09	3.48	0.22	0.14
3/4 (20)	55	44	2.94	0.22	0.14	5.5	0.35	0.22
1 (25)	88	70.4	4.7	0.35	0.22	8.8	0.57	0.35
1 1/4 (32)	137.6	110	7.3	0.57	0.35	13.2	0.88	0.57
1 1/2 (40)	220	176	18.5	0.89	0.56	26.4	1.41	0.88
2 (50)	347	277	18.5	1.41	0.88	34.7	2.22	1.39
2 1/2 (65)	550	440	29.4	2.24	1.40	55.0	3.52	2.20
3 (80)	881	704	47.0	3.58	2.24	70.4	5.64	3.52
4 (100)	1,376	1,101	73.4	5.59	3.49	110	8.81	5.50
5 (125)	1,376	1,101	73.4	5.59	3.49	110	8.81	5.50
6 (150)	3,467	2,774	185	14.1	8.81	277	22.2	13.9
8 (200)	5,504	4,403	294	22.4	14.0	440	35.2	22.0
10 (250)	8,806	7,045	470	35.8	22.4	704	56.4	35.2
12 (300)	13,759	11,007	734	55.9	34.9	1,101	88.1	55.0
14 (350)	22,014	17,611	1,174	89.5	55.9	1,761	141	88.1
16 (400)	22,014	17,611	1,174	89.5	55.9	1,761	141	88.1
18 (450)	34,673	27,738	1,849	141	88.1	2,774	222	139
20 (500)	34,673	27,738	1,849	141	88.1	2,774	222	139
24 (600)	55,036	44,029	2,935	224	140	4,403	352	220
27/28* (700)	88,057	70,446	7,045	451	282	7,045	704	440
30 (750)	88,057	70,446	7,045	451	282	7,045	704	440
32 (800)	88,057	70,446	7,045	451	282	7,045	704	440
36 (900)	137,590	110,072	11,007	704	440	11,007	1,100	688
39/40* (1000)	137,590	110,072	11,007	704	440	11,007	1,100	688
42 (1050)	137,590	110,072	11,007	704	440	11,007	1,100	688
44 (1100)	137,590	110,072	11,007	704	440	11,007	1,100	688
48 (1200)	220,143	176,115	17,611	1,127	704	17,611	1,761	1,101
52 (1350)	346,726	277,381	27,738	1,775	1,110	27,738	2,773	1,733
54 (1400)	346,726	277,381	27,738	1,775	1,110	27,738	2,773	1,733
60 (1500)	346,726	277,381	27,738	1,775	1,110	27,738	2,773	1,733
66 (1600)	346,726	277,381	27,738	1,775	1,110	27,738	2,773	1,733
68 (1650)	346,726	277,381	27,738	1,775	1,110	27,738	2,773	1,733
77 (1800)	550,358	440,287	44,029	2,818	1,761	44,029	4,403	2,752
77 (1950)	550,358	440,287	44,029	2,818	1,761	44,029	4,403	2,752
78 (2000)	550,358	440,287	44,029	2,818	1,761	44,029	4,403	2,752
78 (2000)	550,358	440,287	44,029	2,818	1,761	44,029	4,403	2,752
84 (2200)	880,573	704,459	70,446	4,509	2,818	70,446	7,045	4,403
96 (2400)	880,573	704,459	70,446	4,509	2,818	70,446	7,045	4,403

\*Size is dependent on flange specification

### WaterMaster reduced-bore meter (FER) flow performance – m<sup>3</sup>/h (gal/min)

Size	Class 2 specification						Class 1 specification				
	Q <sub>4</sub>	Q <sub>3</sub>	Q <sub>0.4%</sub>	Q <sub>2</sub>	Q <sub>1</sub>	R	Q <sub>0.2%</sub>	Q <sub>2</sub>	Q <sub>1</sub>	R	
mm	in.	m <sup>3</sup> / h (Ugal / min)	m <sup>3</sup> / h (Ugal / min)	m <sup>3</sup> / h (Ugal / min)	m <sup>3</sup> / h (Ugal / min)	m <sup>3</sup> / h (Ugal / min)	m <sup>3</sup> / h (Ugal / min)	m <sup>3</sup> / h (Ugal / min)	m <sup>3</sup> / h (Ugal / min)		
40	1 1/2	31 (138)	25 (110)	0.83 (1.05)	0.063 (0.28)	0.04 (0.18)	630	1.7 (7.48)	0.1 (0.44)	0.063 (0.28)	400
50	2	50 (220)	40 (176)	1.0 (4.40)	0.1 (0.44)	0.063 (0.28)	630	2.0 (8.8)	0.16 (0.7)	0.1 (0.44)	400
65	2 1/2	79 (347)	63 (277)	1.6 (7.04)	0.16 (0.7)	0.1 (0.44)	630	3.2 (10.56)	0.25 (1.1)	0.16 (0.7)	400
80	3	125 (550)	100 (440)	2.0 (8.80)	0.25 (1.1)	0.16 (0.7)	630	4.0 (17.6)	0.4 (1.76)	0.25 (1.1)	400
100	4	200 (880)	160 (704)	3.2 (10.56)	0.41 (1.8)	0.25 (1.1)	630	6.4 (28)	0.64 (2.8)	0.4 (1.76)	400
125	5	200 (880)	160 (704)	3.2 (10.56)	0.41 (1.8)	0.25 (1.1)	630	6.4 (28)	0.64 (2.8)	0.4 (1.76)	400
150	6	500 (2200)	400 (1760)	8.0 (35.20)	1.0 (4.4)	0.63 (2.77)	630	16 (70.4)	1.6 (7)	1.0 (4.4)	400
200	8	788 (3470)	630 (2770)	13.0 (57.2)	1.6 (7.04)	1.0 (4.4)	630	25 (110)	2.5 (11)	1.6 (7)	400
250	10	1250 (5500)	1000 (4400)	20 (88)	2.5 (11.01)	1.6 (7)	630	40 (176)	4.0 (17.6)	2.5 (11)	400
300	12	2000 (8810)	1600 (7045)	32 (140.8)	4.1 (18.05)	2.5 (11)	630	64 (281.6)	6.4 (28)	4.0 (17.6)	200
350	14	2000 (8810)	1600 (7045)	32 (140.8)	6.4 (28.18)	4.0 (17.6)	400	64 (281.6)	12.8 (56)	8.0 (35.2)	200
375	15	2000 (8810)	1600 (7045)	32 (140.8)	6.4 (28.18)	4.0 (17.6)	400	64 (281.6)	12.8 (56)	8.0 (35.2)	200
400	16	3125 (13760)	2500 (11007)	50 (220)	10 (44)	6.3 (27.7)	400	100 (440)	20 (88)	12.5 (55)	200
450	18	3125 (13760)	2500 (11007)	50 (220)	10 (44)	6.3 (27.7)	400	100 (440)	20 (88)	12.5 (55)	200
500	20	5000 (22014)	4000 (17610)	80 (352)	16 (70.45)	10 (44)	400	160 (70.4)	32 (141)	20 (88)	200
600	24	7875 (34670)	6300 (27740)	126 (554.4)	25.2 (110.9)	15.8 (70)	400	252 (1108)	50.4 (222)	31.5 (138.7)	200



## Specification – Sensor

### Functional specification

#### Temperature limitations

Ambient temperature	
Remote transmitter	-20 to 70 °C (-4 to 158 °F)
Integral transmitter	-20 to 60 °C (-4 to 140 °F)
Process temperature	See table below.
	0.1 to 50 °C (32.2 to 122 °F)
	OIML R49 T50 Approved

Code	Lining	Flange material	Medium temperature °C (°F)	
			Minimum	Maximum
FEF, FEW3	Hard rubber	Carbon steel	-10 (14)	80 (176)
		Stainless steel	-10 (14)	80 (176)
FEW1	PTFE	Carbon steel	-10 (14)	80 (176)
		Stainless steel	-25 (-13)	80 (176)
FEW3	PTFE	Carbon steel	-10 (14)	80 (176)
		Stainless steel	-10 (14)	80 (176)
FEW3	Elastomer	Carbon steel	-5 (23)	80 (176)
		Stainless steel	-5 (23)	80 (176)
FEF, FER	Elastomer	Carbon steel	-6 (21)	70 (158)
FEV	Polypropylene		-6 (21)	70 (158)

#### Pressure limitations

- As flange rating
- PN25 Max Process Temp 50 °C (122 °F)
- PN40 Max Process Temp 40 °C (104 °F)
- OIML / MID Approved Meters 16 bar (232 psi)
- UL Fire Service approved meters 285 psi

#### Pressure equipment directive 97/23/EC

This product is applicable in networks for the supply, distribution and discharge of water and associated equipment and is therefore exempt.

#### IP rating

- IP68 (NEMA 6) to 7 m (20 ft.) depth
- Note.** Not sizes DN10 to DN32 (3/8 – 1 1/4 in. NB)
- IP67 (NEMA 4X) – DN10 to DN32 (3/8 – 1 1/4 in. NB)

#### Buriable (sensor only)

- FEV, FEF and FEW – DN450 to 2400 (18 to 96 in. NB) to 5 m (16 ft.) depth

#### Conductivity

- >20 µS cm<sup>-1</sup>

#### Transmitter mounting

- Integral (not FEF) or remote

#### Electrical connections

- 20 mm glands
- 1/2 in. NPT
- 20 mm armored glands

#### Sensor cable

- ABB WaterMaster cable available in two forms – standard and armored
- Maximum length 200 m (660 ft.)

#### Suspended solids

- Suspended solids percentage of process medium should not exceed 6 % of total volume

### Physical specification

#### Wetted parts

##### Electrode material

- Stainless steel 316 L / 316 Ti
- Super-austenitic steel
- Hastelloy® C-22 and Hastelloy C4
- (other electrode materials available on request)

#### Potential equalizing rings

- Minimum of 1 recommended

#### Lining material / potable water approvals

Code	Size Range	Liner	Potable Water Approvals				
			WRAS	WRAS 60°C	ACS DVGW	NSF	AZ/NZS 4020
FEW1	DN10 to 32 (3/8 to 1 1/4 in. NB)	PTFE	✓				
FEW3	DN10 to 600 (3/8 to 24 in. NB)	PTFE					
FEW3	DN40 to 2400 (1 1/2 to 96 in. NB)	Elastomer	✓				✓
FEW3	DN40 to 2400 (1 1/2 to 96 in. NB)	Hard rubber	✓	✓	✓		NSF approved material
FEV	DN40 to 200 (1 1/2 to 8 in. NB)	Polypropylene	✓		✓	✓	NSF-61 ✓
FEF	DN250 to 600 (10 to 24 in. NB)	Elastomer	✓		✓	✓	NSF-61 ✓
FEF	DN250 to 600 (10 to 24 in. NB)	Hard rubber	✓	✓	✓		NSF approved material
FER	DN40 to 600 (1 1/2 to 24 in. NB)	Elastomer	✓		✓	✓	✓

\*Size is dependent on flange specification

#### Lining protection plates

- Not required

#### Installation conditions (recommended)

	Straight pipe requirements	
	Upstream	Downstream
FEW / FEF	5 x DN	2 x DN
FEV	5x DN	0 x DN
FER	0 x DN	0 x DN

#### Pressure loss

- Negligible at Q3
- <0.25 bar (<3.62 psi) at Q3
- <0.63 bar (<9.13 psi) at Q3
- All full bore meters
- FEV (DN40 to 200 [1 1/2 to 8 in. NB])
- FER (DN40 to 600 [1 1/2 to 24 in. NB])

---

## ...Specification – Sensor

### Non-wetted parts

#### Flange material

Carbon steel	DN20 to DN2400 (¾ to 96 in. NB)
Stainless steel	DN10 to DN2400 (⅜ to 96 in. NB)
SG iron	FEV – DN40 to DN150 [1 ½ to 6 in. NB)
	FER – DN40 to DN150 [1 ½ to 6 in. NB)

#### Housing material

Carbon steel	FEV – DN40 to 200 (1½ to 8 in. NB)
	FEW – DN450 to 2400 (18 to 96 in. NB)
Plastic FEF –	DN250 to 600 (10 to 24 in. NB)
Aluminium	FEW – DN10 to 400 (⅜ to 16 in. NB)

#### Terminal box material

Polycarbonate

#### Cable gland material

Plastic, brass

#### Paint specification

Zinc-based primed (all sensors), paint coat  $\geq 70 \mu\text{m}$  thick  
RAL 9002 (light grey), in accordance with C4 paint standard

## Specification – transmitter

### Functional specification

#### Power supply

Mains	85 to 265 V AC @ <7 VA
Low voltage	24 V AC +10 % /-30 % @ <7 VA
DC	24 V ±30 % @ <0.4 A

Supply voltage fluctuations within the specified range have no effect on accuracy

#### Digital Outputs (3)

Rating 30 V @ 220 mA, open collector, galvanically isolated\*  
 Maximum output frequency 5250 Hz  
 1 off dedicated to Alarm / Logic, programmable function  
 2 off configurable to either Pulse / Frequency or Alarm / Logic function

#### Current output – HART FEX100 variant

4 to 20 mA or 4 to 12/20 mA, galvanically isolated\*  
 Maximum loop resistance 750 W  
 HART protocol Version 5.7 (HART registered)  
 Signal levels compliant with NAMUR NE 43 (3.8 to 20.5 mA)  
 Low alarm 3.6 mA, High alarm 21.8 mA

#### Additional accuracy

±0.1 % of reading  
 Temperature coefficient: typically <±20 ppm/°C

#### RS485 Communications – PROFIBUS FEX100-DP variant

Registered name: FEX100-DP  
 RS485 (9.6kbps to 1.5Mbps), galvanically isolated  
 DPV0, DPV1  
 PA Profile 3.01  
 Standard idents: 9700, 9740, 9741  
 FEX100-DP specific ident: 3431  
 3 Concurrent MS2 master connections

#### RS485 Communications – MODBUS FEX100-MB variant

MODBUS RTU protocol  
 RS485 (9.6kbps to 115.2kbps), galvanically isolated

#### Electrical connections

20 mm glands ½ in. NPT, 20 mm armored glands

#### Temperature limitations

Ambient temperature -20 to 60 °C (-4 to 140 °F)  
 Temperature coefficient Typically <±10 ppm/°C @  
 Vel <sup>3</sup>0.5 m/s

#### Environmental protection

Humidity: 0 to 100 %  
 Rating: IP67 (NEMA 4X) to 1m (3.3 ft.) depth

#### Tamper-proof security

Write access prevented by internal switch combined with external security seals for MID applications

#### Languages

English, French, German, Italian, Spanish, Polish

#### Infrared service port

USB adapter (accessory), USB 1.1. and 2.0 compatible  
 Driver software for Windows 2000, XP, 7 (32-bit) and Vista

#### Housing material

Powder-coated aluminium with glass window

#### Paint specification

Paint coat <sup>3</sup>70 µm thick RAL 9002 (light grey)

#### Transmitter vibration testing

Vibration level: 7 m/s<sup>2</sup>  
 Frequency range: 20 to 150 Hz  
 No. of sweeps in 3 orthogonal planes: 20  
 Undetectable shift in transmitter span or zero performance

#### Hazardous approvals

FM & FMc Class 1 Div 2  
 (FM listing NI / 1 / 2 / ABCD / T4, S / II, III / 2 / FG / T4,  
 Ta=60C; Type 4X, IP67 – for transmitter and integral  
 mounting  
 Ta=70C, Type 6P, IP68 – for remote sensor type,  
 IP67 on DN10 to 32 [3/8 to 11/4 in.NB])  
 (FMc listing NI / 1 / 2 / ABCD / T4, DIP / II, III / 2 / FG / T4,  
 Ta=60C; Type 4X, IP67 – for transmitter and integral  
 mounting  
 Ta=70C, Type 6P, IP68 – for remote sensor type, IP67 on  
 DN10 to 32 [3/8 to 11/4 in.NB])  
 FET, FEV, FEW and FEF DN700 to 2200 (27/28\* to 84 in. NB)  
 only

\*Size is dependent on flange specification

#### ATEX\* Zone 2, 21 & 22

II 3 G Ex nA IIC T5 Gc  
 II 2 D Ex tb IIIC T100°C Db  
 TA = -20°C to +60°C (integral transmitter)  
 TA = -20°C to +70°C (remote sensor)

#### IECEX\* Zone 2, 21 & 22

Ex tb IIIC T100°C Db  
 Ex nA IIC T5 Gc  
 TA = -20°C to +60°C (integral transmitter)  
 TA = -20°C to +70°C (remote sensor)

\*FEW, FEV, FET and FEF <sup>3</sup>700 (27/28 in. NB) only

#### Declaration of Conformance

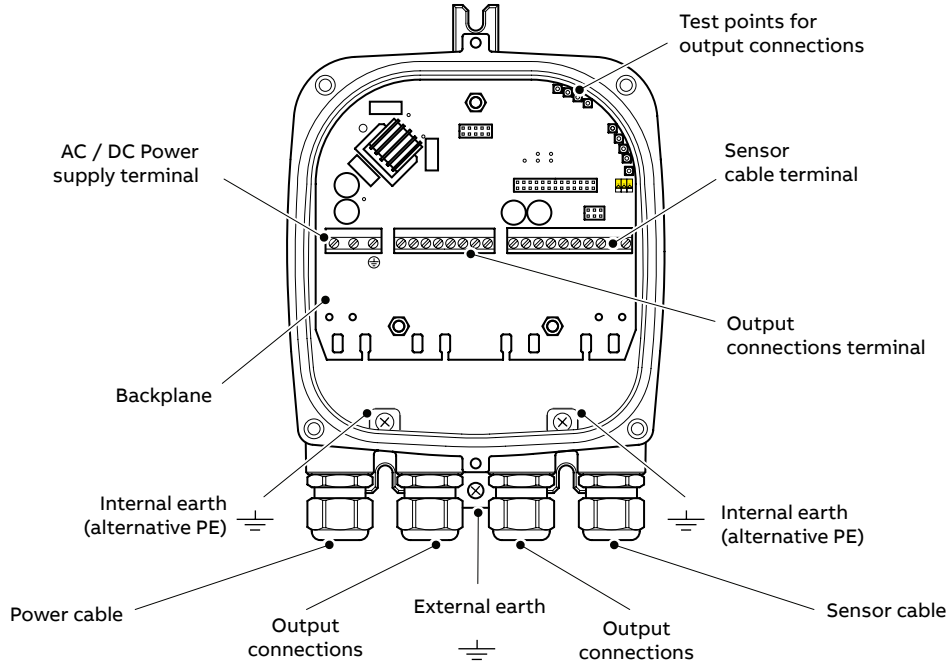
Copies of CE certification will be available on request.  
 WaterMaster has OIML R49 Certificate of Conformity to accuracy class 1 and 2 (FEV DN40 to 200 [1½ to 8 in.NB]).  
 Copies of accuracy certification are available on request.  
 WaterMaster (FEV DN40 to 200 [1½ to 8 in.NB]) has been type examined under directive MID 2004/22/EC, Annex MI-001. Copies of this certificate are available on request.

\* When installed, do not leave galvanically isolated circuits (pulse and current) floating.

## Transmitter connections

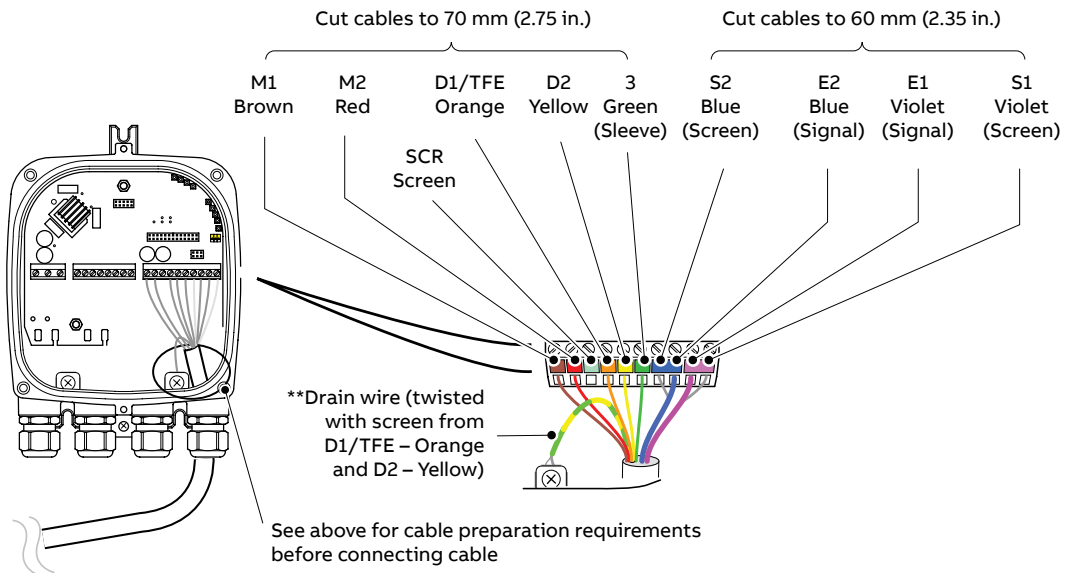
### Transmitter terminal connections overview

This section is intended to give an overview of installation of a flowmeter. For Installation requirements, technical information and Health and safety precautions – refer to the User Guide OI/FET100-EN.



Cable gland / conduit entry (Remote transmitter shown)

### Sensor cable terminal connections and recommended cable lengths



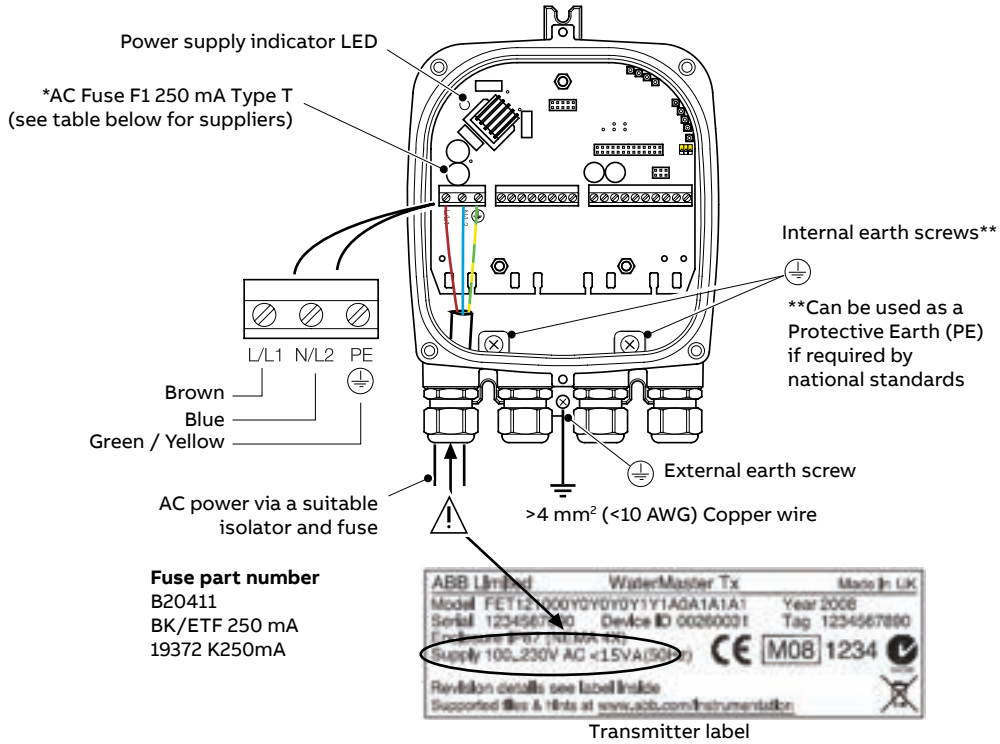
\*Inner wire

\*\*For cathodically-protected systems (or if the transmitter enclosure does not have an earth screw) connect the drain wire to terminal SCR.

Sensor cable connections at transmitter terminal block – remote transmitter

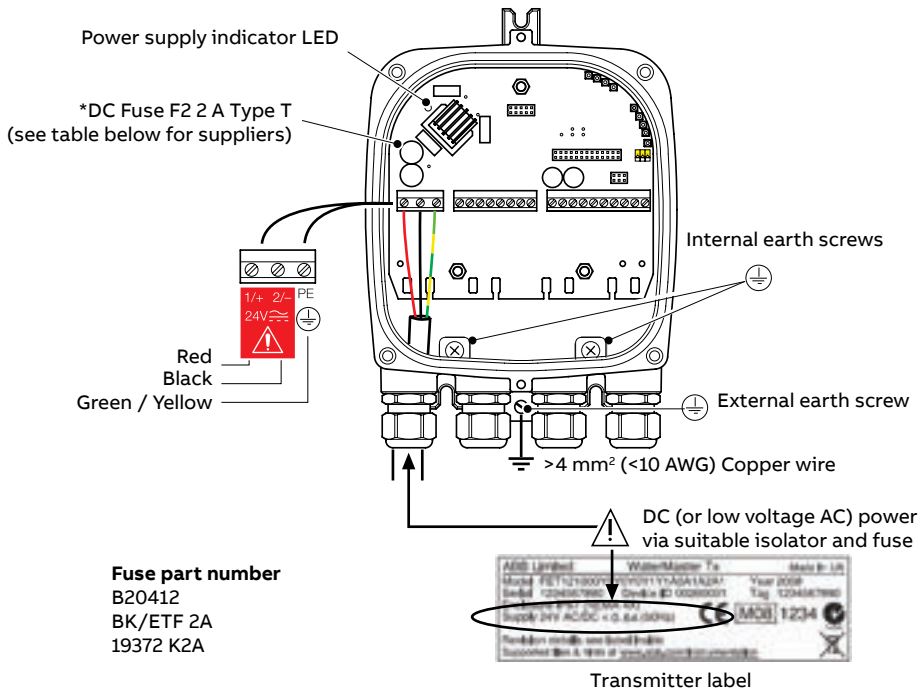
**Power supply connections**

AC power supply



**AC power supply connections**

DC (and low voltage AC) power supply



**DC (and low voltage AC) power supply connections**

## ...Transmitter connections

### Configuration DIP switches

Three configuration DIP switches are mounted on the transmitter backplane board.

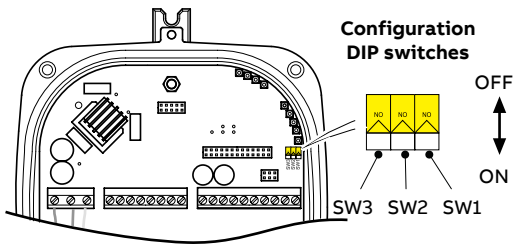
These are factory-set as follows:

- Remote transmitter – all OFF
- Integral transmitter – SW3 ON

For MID-compliant flowmeters the read-only / MID protection switch is set to 'ON' to ensure the meter is secure from tampering.

For HART software versions prior to 01.02.XX, this switch (set after commissioning) prevents login via the keypad or bus at any security level.

From HART software version 01.03.XX onwards and for all PROFIBUS software versions, on MID meters, all metrological-related parameters are locked and inaccessible at the Service level. Standard and Advanced user level parameters can still be modified via the HMI or bus.



### DIP Switch functions

- SW1 – Read-only / MID Protection
- SW2 – (future product)
- SW3 – Internal sensor memory

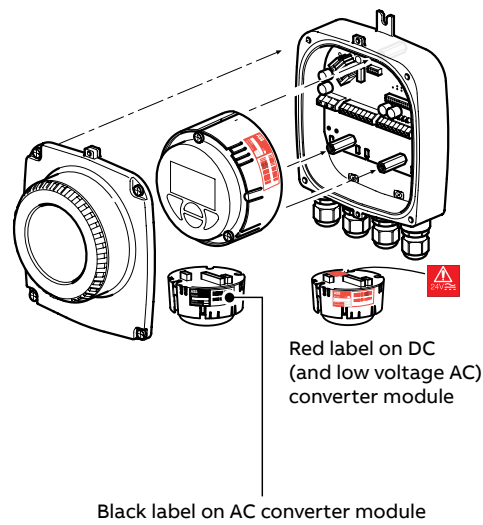
### Configuration DIP switches

### Transmitter module identification

**Note.** The communications bus type is HART FEX100 if not specified on the transmitter module label. An example of the PROFIBUS FEX100-DP variant transmitter module label is shown below.



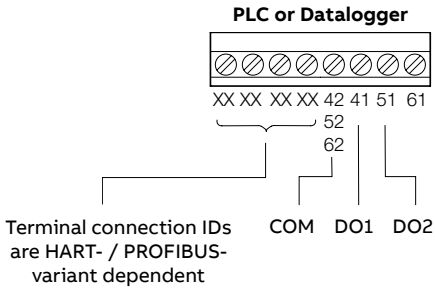
PROFIBUS FEX-100P label



### Transmitter module identification

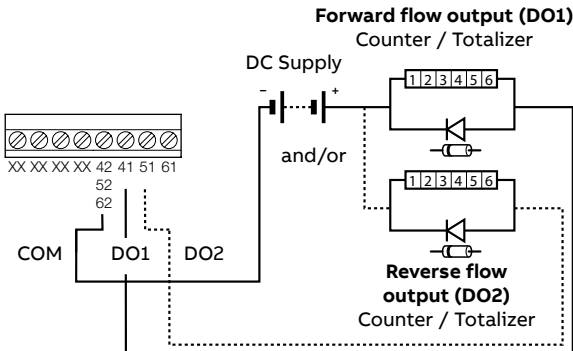
# Output connections

## Frequency outputs

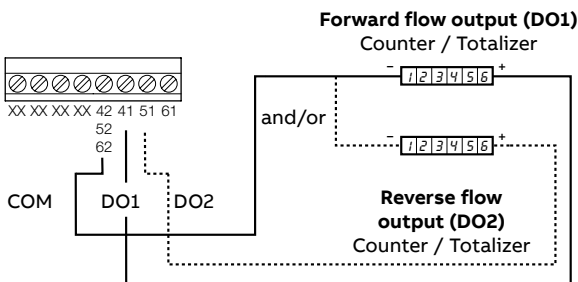


## PLC / Datalogger connections

**Note.** Digital outputs DO1 and DO2 are polarity sensitive. The common (negative) connection for these outputs is designated 'COM'.

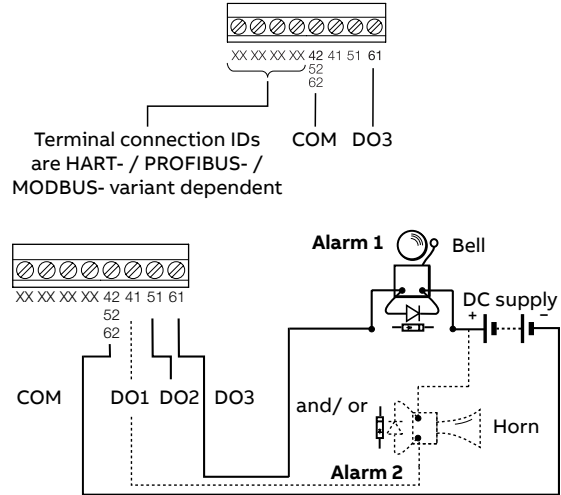


## Electromechanical connections



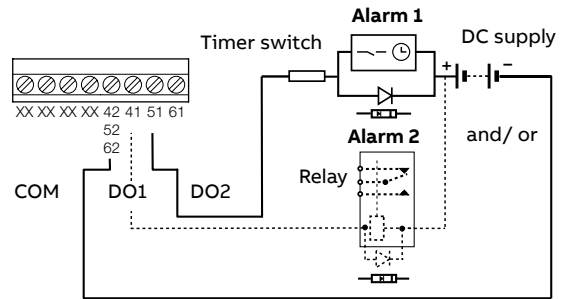
## Telemetry / Electronic counters connections

## Alarm outputs



## Note.

- Normal alarm / logic output is from DO3 (terminal 61). DO1 (41) and DO2 (51) can also be configured as alarms if required but are then NOT available as frequency / pulse outputs as shown in **Electromechanical connections** and **Telemetry / Electronic counters connections**, opposite.
- Bell and horn shown for example only. Any suitable alarm device may be used (for example, lamp, siren, buzzer etc.).

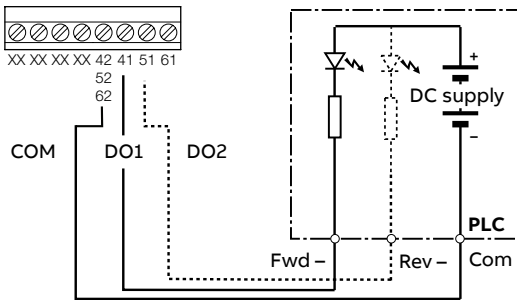
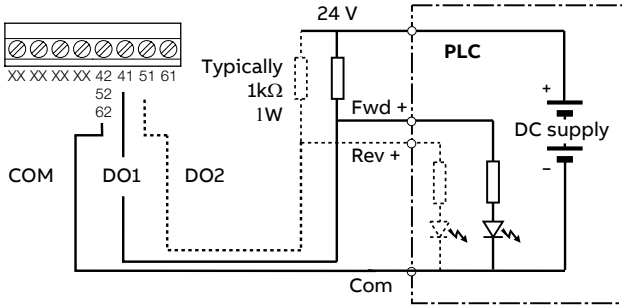


**Note.** Relay and timer switch shown for example only.



## ...Output connections

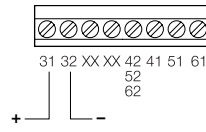
### PLC interface



### Note.

- WaterMaster digital outputs are NPN optocoupled transistors used as switches.
- Maximum allowed voltage at collector is 30 V DC
- Maximum allowed current across transistor is 220 mA.

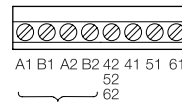
### Current output (4 to 20 mA) – HART (FEX100) variant



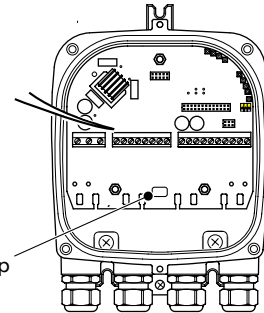
Refer to IM/WMP for HART-Protocol communication details

### Current output (4 to 20 mA) – HART (FEX100) variant

### RS485 communications – PROFIBUS (FEX100-DP) and MODBUS (FEX100-MB) variants

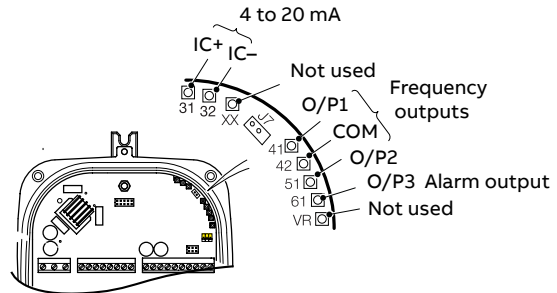


PROFIBUS / MODBUS RS485  
A1 / B1 – In  
A2 / B2 – Out



### Test point access

Note. A typical DVM probe can access (fit) the PCB's test holes.



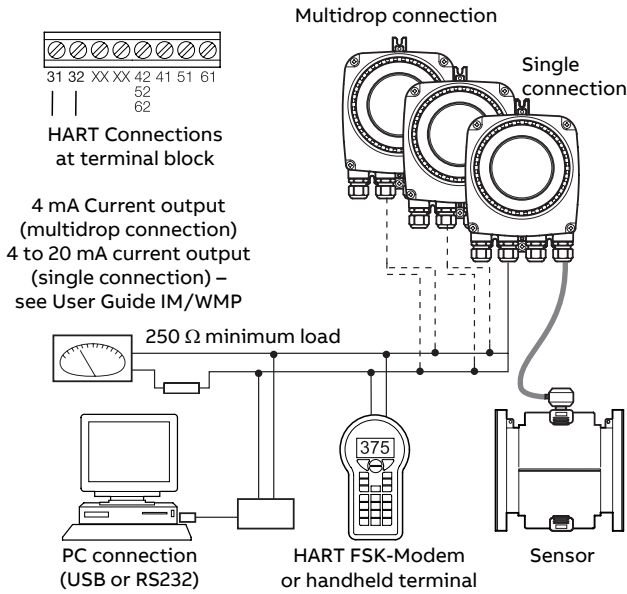
\*These 2 test points are connected on the HART FEX100 backplane only (they are present on the PROFIBUS FEX100-DP / MODBUS FEX100-MB backplane but not connected)

## Digital communication

The transmitter has the following options for digital communication.

### HART protocol

The unit is registered with HART Communication Foundation.



### HART protocol

Configuration	Directly on the Device Software Asset Vision Basic (+ HART – DTM)
Transmission	Install a HART modem (FSK [Frequency Shift Keyed]-Modem) for HART-Communication when connecting to a PC. The HART-Modem converts the analog 4 to 20 mA signal into a digital output signal (Bell Standard 202) and connects to the PC using a USB (or RS232C) connector
Max. signal amplitude	1.2 mA
Current output load	Min. 250W, max. = 560W
Cable	AWG 24 twisted
Max. cable length	1500 m (4921 ft.)
Baud rate	1.200 baud

### System integration

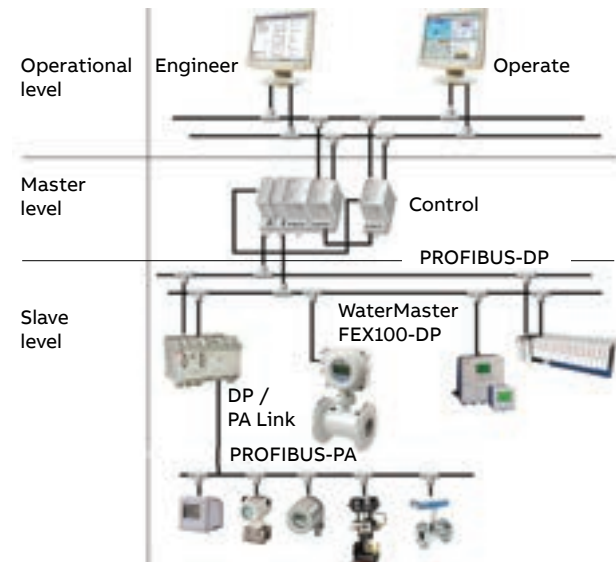
WaterMaster can be integrated into control systems and configuration devices using any Frame application, such as ABB AssetVision or similar third-party applications. ABB Device Type Managers (DTMs) for WaterMaster provide a unified structure for accessing device parameters, configuring and operating the devices and diagnosing problems. FDT (Field Device Tool) technology standardizes the communication and configuration interface between all field devices and host systems.

### PROFIBUS DP protocol

PROFIBUS is a manufacturer-independent, open Fieldbus standard for a wide range of applications in manufacturing, process and building automation. Manufacturer independence and openness are ensured by the international standard EN 50170.

PROFIBUS DP ID no.	0x3431
Alternative standard ID no.	0x9701 or 0x9741
Configuration	Directly on the device Software Asset Vision Basic (+PROFIBUS DP-DTM)
Transmission signal	Accuracy to IEC 61158-2
Cable	Shielded, twisted cable (accurate to IEC 61158-2, types A or B)

All devices are connected in a bus structure ('line') as shown in below. Up to 32 stations (master or slaves) can be linked to create one 'segment', although it is recommended not to install more than 16 devices on a single segment. Each end of a segment must be terminated by an active bus terminating resistor. Both bus terminators must always be powered to ensure fault-free operation, therefore it is strongly recommended that they are connected to a back-up power supply. The use of bus amplifiers (repeaters) and segment couplers can be used to extend the network.



## ...Digital communication

### System integration

The GSD file for WaterMasters specifies the device-specific Ident No. 3431. It conforms to the PROFIBUS standard, providing a clear and comprehensive description of each instrument in a precisely defined format.

This enables the system configuration tool to use the information automatically when configuring a PROFIBUS bus system.

The ABB GSD file (Ident No. 3431) is divided into 2 sections:

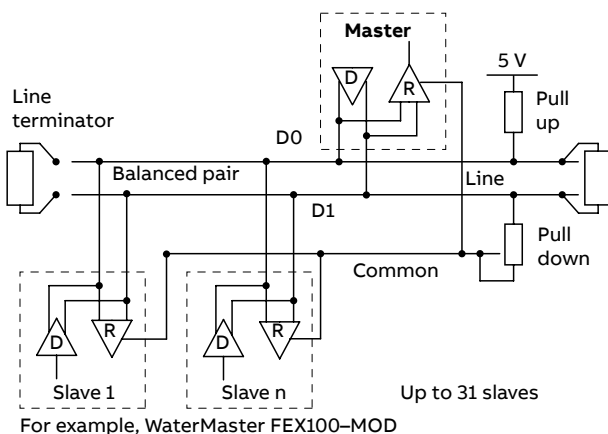
- General specifications
  - Identification of the device, together with hardware and software versions, baud rates supported and the possible time intervals for monitoring times.
- DP slave-related specifications
  - Information about the user parameter block for device-specific configuration and modules containing details of the input and output data that can be exchanged cyclically with a PROFIBUS master.

The WaterMaster GSD file (ABB\_3431.gsd) is available for download from the ABB website at: [www.abb.com/fieldbus](http://www.abb.com/fieldbus) (follow the link for PROFIBUS DP field devices).

### MODBUS protocol

MODBUS is an open standard that is owned and administered by an independent group of device manufacturers called the Modbus Organization ([www.modbus.org](http://www.modbus.org)).

Using the MODBUS protocol, devices from different manufacturers exchange information on the same communications bus without the need for special interface equipment. WaterMaster FEX100-MB follows the specification for Modbus Over Serial Line V1.02, using 2-wire TIA/EIA-485 (RS485) physical layer.



### Cable Properties

The end-to-end length of the trunk cable must be limited. The maximum length depends on the Baud rate, the cable (gauge, capacitance or characteristic impedance), the number of loads on the daisy chain and the network configuration (2-wire or 4-wire).

For 9600 Baud rate and AWG26 (or wider) gauge, the maximum length is 1000 m (3280 ft.). Where 4-wire cabling is used as a 2-wire cabling system the maximum length must be divided by 2. The tap cables must be short, never more than 20 m (65.6 ft.). If a multi-port tap is used with  $n$  derivations, each one must have a maximum length of 40 m (131 ft.) divided by  $n$ .

The maximum serial data transmission line length for RS485 systems is 1200 m (3937 ft.). The lengths of cable that can be used are determined by the cable type, typically:

- Up to 6 m (19.7 ft.) – standard screened or twisted pair cable.
- Up to 300 m (984 ft.) – twin twisted pair with overall foil screen and an integral drain wire – for example, Belden 9502 or equivalent.
- Up to 1200 m (3937 ft.) – twin twisted pair with separate foil screens and integral drain wires – for example, Belden 9729 or equivalent.

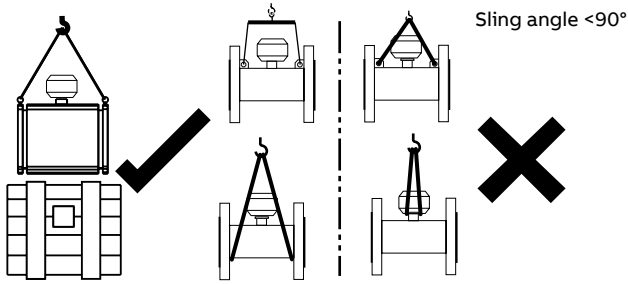
Category 5 cables may be used for RS485-MODBUS to a maximum length of 600 m (1968 ft.). For the balanced pairs used in an RS485-system, a characteristic impedance with value higher than 100Ω is preferred especially for 19200 and higher Baud rates.

## Installation requirements

This section is intended to give an overview of installation of a flowmeter. For Installation requirements, technical information and Health and Safety precautions refer to User Guide OI/FEF/FEV/FEW-EN.

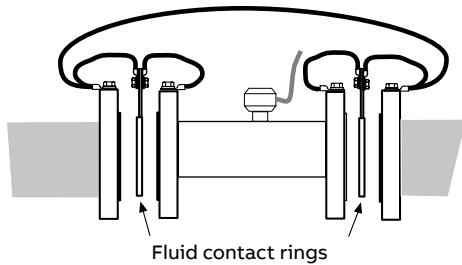
### Unpacking the flowmeter

Care must be taken when lifting the flowmeter to use the lifting hooks provided or sling under the body of the meter. Never lift using the terminal connection box of the sensor cable as this will cause damage and invalidate warranty.



### Grounding

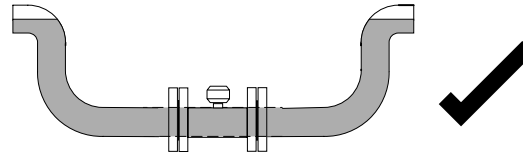
The flowmeter sensor must be cross-bonded to the upstream and downstream pipes. For technical reasons, this potential should be identical to the potential of the metering fluid. The fluid connection is made by installing 2 fluid contact rings (for grounding).



### Mounting

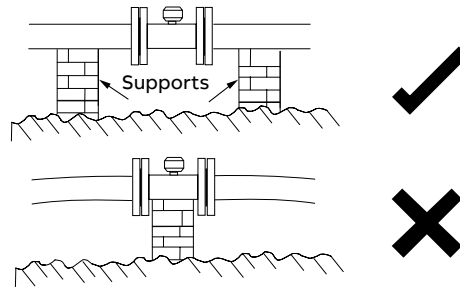
The installation conditions shown below must be observed to achieve the best operational results.

The sensor tube must always be completely full.

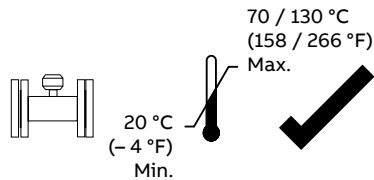


The flow direction must correspond to the identification plate. The device measures the flowrate in both directions. Forward flow is the factory setting.

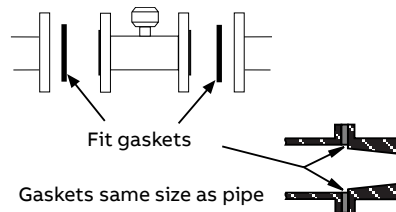
The devices must be installed without mechanical tension (torsion, bending). If required support the pipeline.



The flange seals must be made from a compatible material for the fluid and fluid temperatures if required.

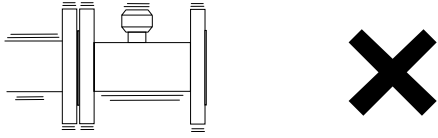


Seals must not extend into the flow area since possible turbulence could influence the device accuracy.

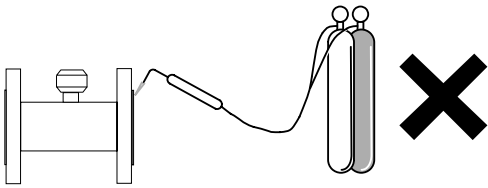


### ...Installation requirements

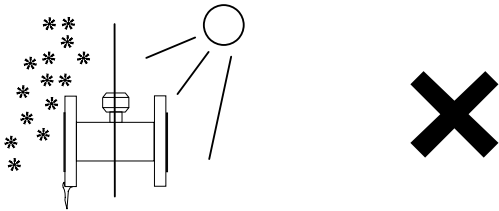
The pipeline may not exert any unallowable forces and torques on the device, such as vibration.



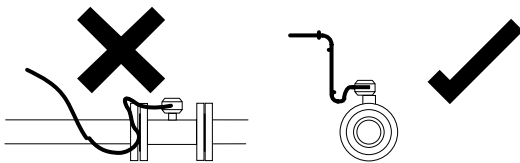
The flowmeter must not be submitted to any localized heat during installation; take care to remember this is a measuring instrument.



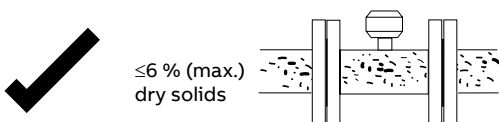
The flowmeter must not be exposed to direct sunlight or provide for appropriate sun protection where necessary.



The cable to the flowmeter should be installed neatly or within a conduit, both loose or conduit should have a u shape below the terminal connection box height to allow any water run off to avoid any capillary action into the flowmeter sensor.

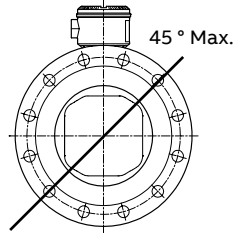


Ensure a maximum 6 % dry solids content flow through pipe – for higher dry solids content, refer to ABB’s ProcessMaster range.



### Electrode axis

Electrode axis should be horizontal if at all possible or no more than 45° from horizontal.



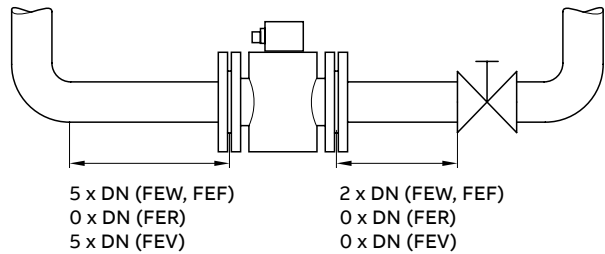
### Upstream and Downstream pipe sections

The metering principle is tolerant of the flow profile.

- Wherever possible do not install fittings (for example, manifolds, valves) directly in front of the flowmeter sensor.
- Butterfly valves should be installed so that the valve plate does not extend into the flowmeter sensor.
- Valves or other turn-off components should be installed in the Downstream pipe section.

Experience has shown that, in most installations, straight upstream sections 3 x DN long and straight downstream sections 2 x DN long are normally sufficient. We would recommend conditions of 5 x DN straight upstream and 2 x DN straight downstream where possible.

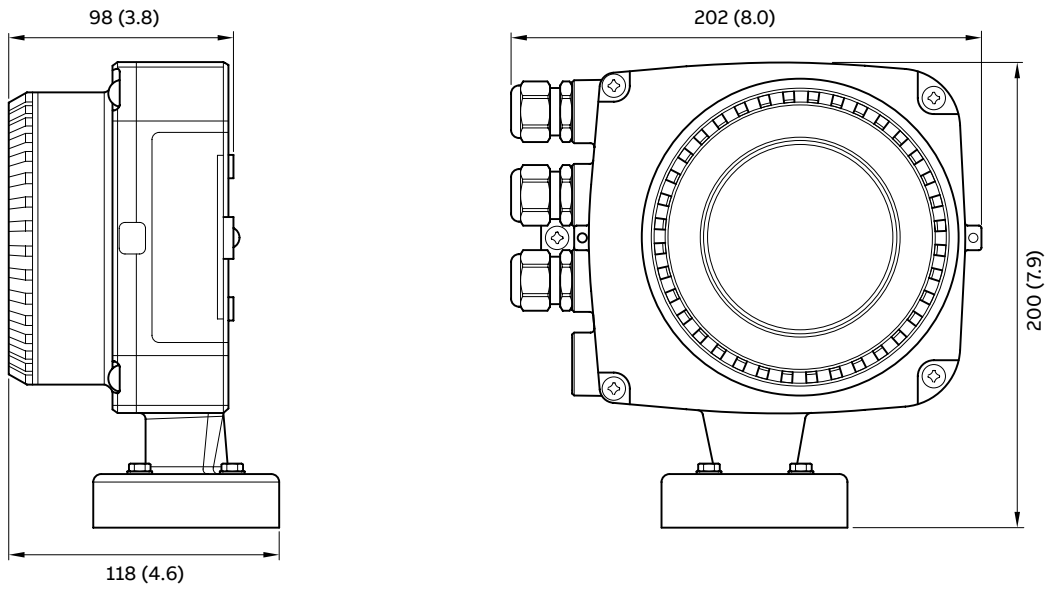
For reduced-bore meters (FER), these straight pipe sections are often not necessary.



## Transmitter dimensions

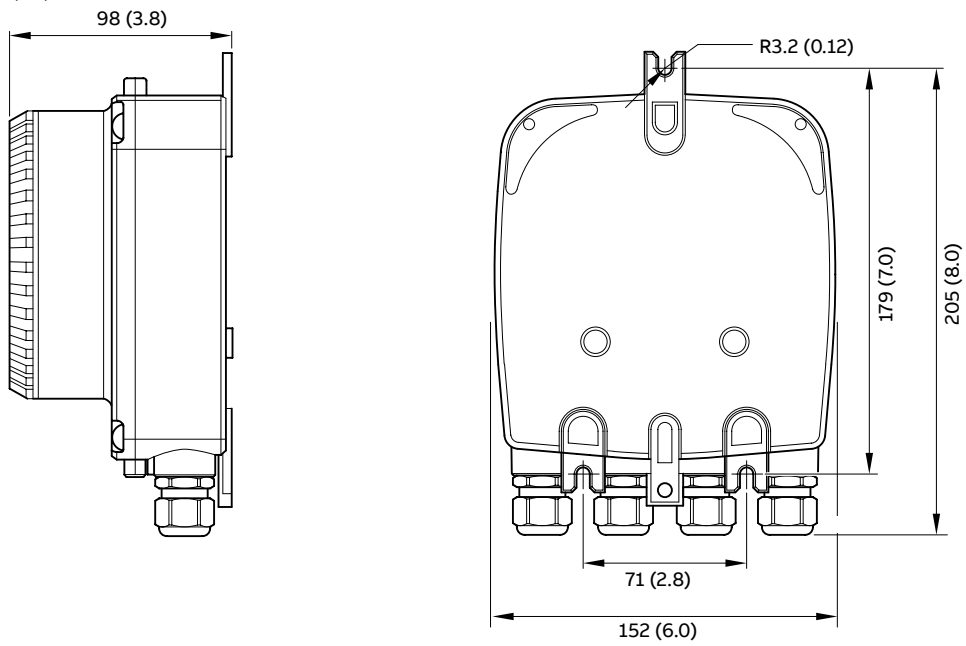
### Integral transmitter

Dimensions in mm (in.)



### Remote transmitter

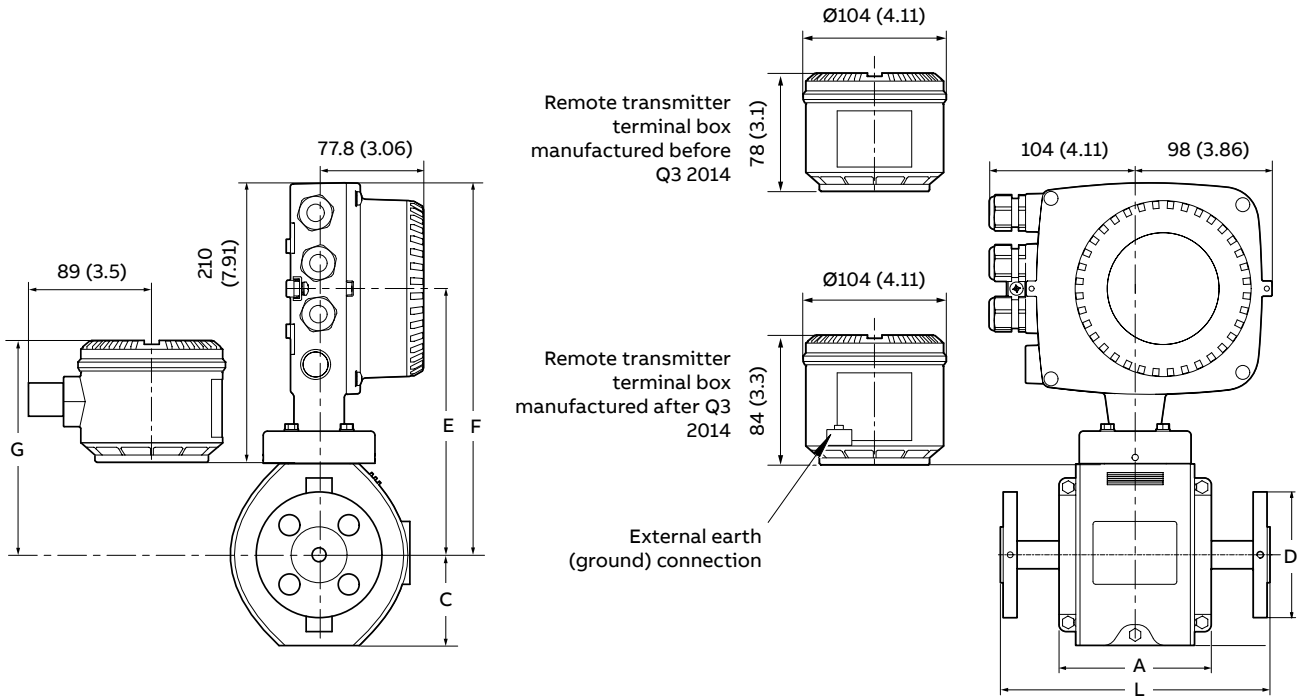
Dimensions in mm (in.)



### Sensor dimensions

FEW – DN10 to 125 (3/8 to 5 in. NB)

Dimensions in mm (in.)



DN10 to 125 (3/8 to 5 in. NB) (FEW)



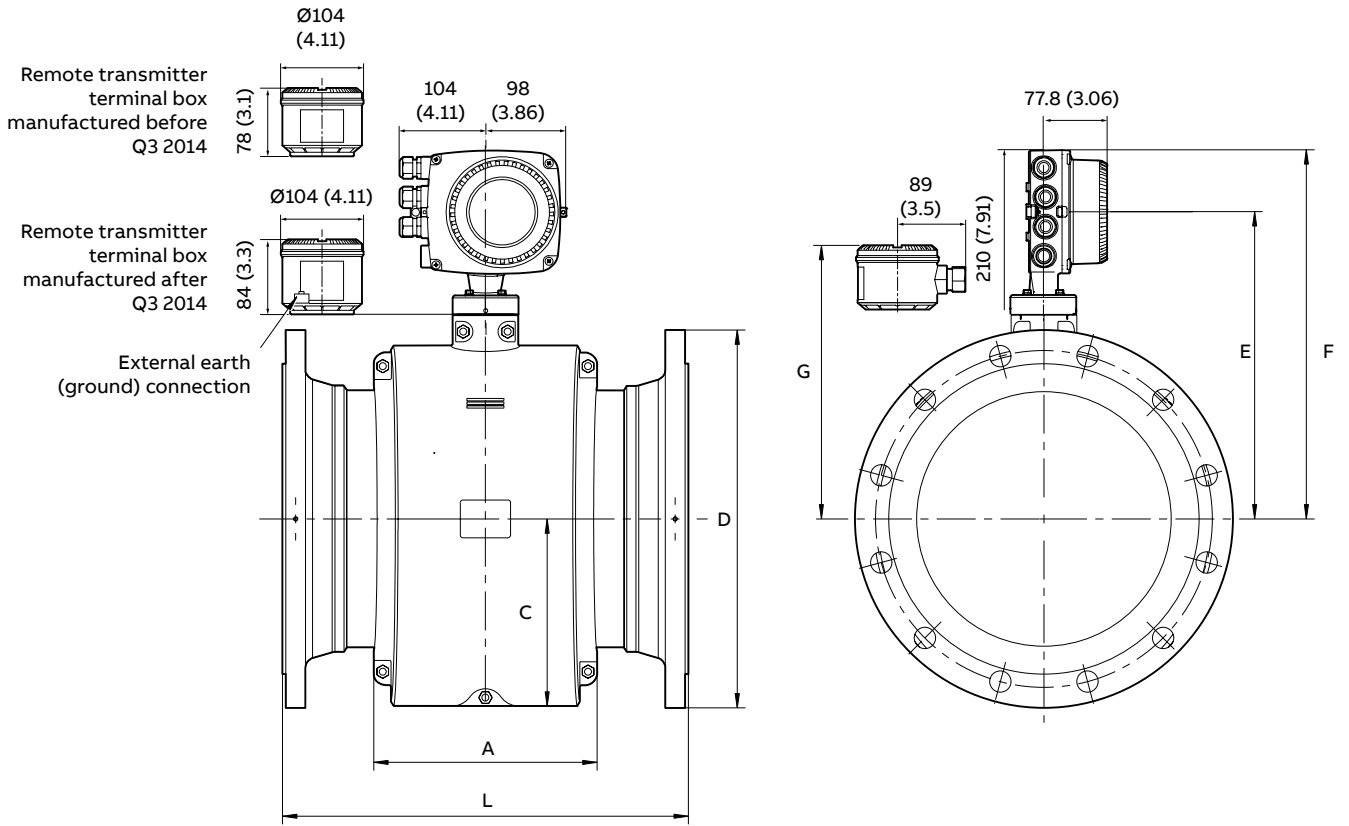
DN	Process connection type	Dimensions in mm (in.)							Approx. weight in kg (lb)	
		D	L	F	C	E	G	A	Integral	Remote
DN10 (3/8 in.)	JIS10K	90 (3.54)	200 (7.87)	268 (10.55)	82 (3.23)	193 (7.6)	148 (5.83)	113 (4.45)	6 (13)	4 (9)
	PN10 to 40	90 (3.54)								
	ASME B16.5 CL150	90 (3.54)								
	ASME B16.5 CL300	96 (3.78)								
DN15 (1/2 in.)	PN10 to 40	95 (3.74)	200 (7.87)	268 (10.55)	82 (3.23)	193 (7.6)	148 (5.83)	113 (4.45)	6 (13)	4 (9)
	JIS5K	80 (3.15)								
	JIS10K	95 (3.74)								
	ASME B16.5 CL300	95 (3.74)								
DN20 (3/4 in.)	ASME B16.5 CL150	90 (3.54)	200 (7.87)	268 (10.55)	82 (3.23)	193 (7.6)	148 (5.83)	113 (4.45)	6 (13)	4 (9)
	PN10 to 40	105 (4.13)								
	JIS5K	85 (3.35)								
	JIS10K	100 (3.94)								
DN25 (1 in.)	ASME B16.5 CL300	115 (4.53)	200 (7.87)	268 (10.55)	82 (3.23)	193 (7.6)	148 (5.83)	113 (4.45)	6 (13)	4 (9)
	ASME B16.5 CL150	98 (3.86)								
	JIS5K	95 (3.74)								
	JIS10K	125 (4.88)								
DN32 (1 1/4 in.)	ASME B16.5 CL300	125 (4.88)	200 (7.87)	268 (10.55)	82 (3.23)	193 (7.6)	148 (5.83)	113 (4.45)	6 (13)	4 (9)
	ASME B16.5 CL150	108 (4.25)								
	JIS5K	115 (4.53)								
	JIS10K	135 (5.31)								
DN40 (1 1/2 in.)	ASME B16.5 CL300	135 (5.31)	200 (7.87)	268 (10.55)	82 (3.23)	193 (7.6)	148 (5.83)	113 (4.45)	6 (13)	4 (9)
	ASME B16.5 CL150	117 (4.61)								
	JIS5K	120 (4.72)								
	JIS10K	140 (5.51)								
DN50 (2 in.)	ASME B16.5 CL300	155 (6.10)	200 (7.87)	268 (10.55)	82 (3.23)	193 (7.6)	148 (5.83)	113 (4.45)	6 (13)	4 (9)
	ASME B16.5 CL150	127 (5.00)								
	PN10 to 40	165 (6.5)								
	JIS5K	130 (5.12)								
DN65 (2 1/2 in.)	JIS10K	155 (6.10)	200 (7.87)	268 (10.55)	82 (3.23)	193 (7.6)	148 (5.83)	113 (4.45)	6 (13)	4 (9)
	AS4087 PN16	150 (5.91)								
	AS4087 PN35	165 (6.50)								
	ASME B16.5 CL300	165 (6.50)								
DN80 (3 in.)	ASME B16.5 CL150	152 (5.98)	200 (7.87)	268 (10.55)	82 (3.23)	193 (7.6)	148 (5.83)	113 (4.45)	6 (13)	4 (9)
	PN10 to 40	185 (7.28)								
	JIS5K	155 (6.10)								
	JIS10K	175 (6.89)								
DN100 (4 in.)	AS4087 PN16	165 (6.50)	200 (7.87)	268 (10.55)	82 (3.23)	193 (7.6)	148 (5.83)	113 (4.45)	6 (13)	4 (9)
	AS4087 PN35	185 (7.28)								
	ASME B16.5 CL150	178 (7.01)								
	ASME B16.5 CL300	190 (7.48)								
DN125 (5 in.)	ASME B16.5 CL300	190 (7.48)	200 (7.87)	268 (10.55)	82 (3.23)	193 (7.6)	148 (5.83)	113 (4.45)	6 (13)	4 (9)
	PN10 to 40	200 (7.87)								
	JIS5K	180 (7.09)								
	JIS10K	185 (7.28)								
DN150 (6 in.)	AS4087 PN16	185 (7.28)	200 (7.87)	268 (10.55)	82 (3.23)	193 (7.6)	148 (5.83)	113 (4.45)	6 (13)	4 (9)
	AS4087 PN35	205 (8.07)								
	ASME B16.5 CL150	190 (7.48)								
	ASME B16.5 CL300	210 (8.28)								
DN200 (8 in.)	ASME B16.5 CL300	210 (8.28)	200 (7.87)	268 (10.55)	82 (3.23)	193 (7.6)	148 (5.83)	113 (4.45)	6 (13)	4 (9)
	PN10 to 16	220 (8.66)								
	PN25 to 40	235 (9.25)								
	JIS5K	200 (7.87)								
DN250 (10 in.)	JIS10K	210 (8.27)	200 (7.87)	268 (10.55)	82 (3.23)	193 (7.6)	148 (5.83)	113 (4.45)	6 (13)	4 (9)
	AS4087 PN16	215 (8.46)								
	AS4087 PN35	230 (9.06)								
	ASME B16.5 CL300	255 (1.04)								
DN300 (12 in.)	ASME B16.5 CL150	229 (9.00)	200 (7.87)	268 (10.55)	82 (3.23)	193 (7.6)	148 (5.83)	113 (4.45)	6 (13)	4 (9)
	PN10 to 16	250 (9.84)								
	PN25 to 40	270 (10.63)								
	JIS5K	235 (9.25)								
DN350 (14 in.)	JIS10K	250 (9.84)	200 (7.87)	268 (10.55)	82 (3.23)	193 (7.6)	148 (5.83)	113 (4.45)	6 (13)	4 (9)
	ASME B16.5 CL150	254 (10.00)								
	ASME B16.5 CL300	280 (11.02)								
	ASME B16.5 CL300	280 (11.02)								

DN10 to 125 (3/8 to 5 in. NB) (FEW) dimensions / weights

### ...Sensor dimensions

FEW – DN150 to 400 (6 to 16 in. NB)

Dimensions in mm (in.)



DN150 to 400 (6 to 16 in. NB) (FEW)

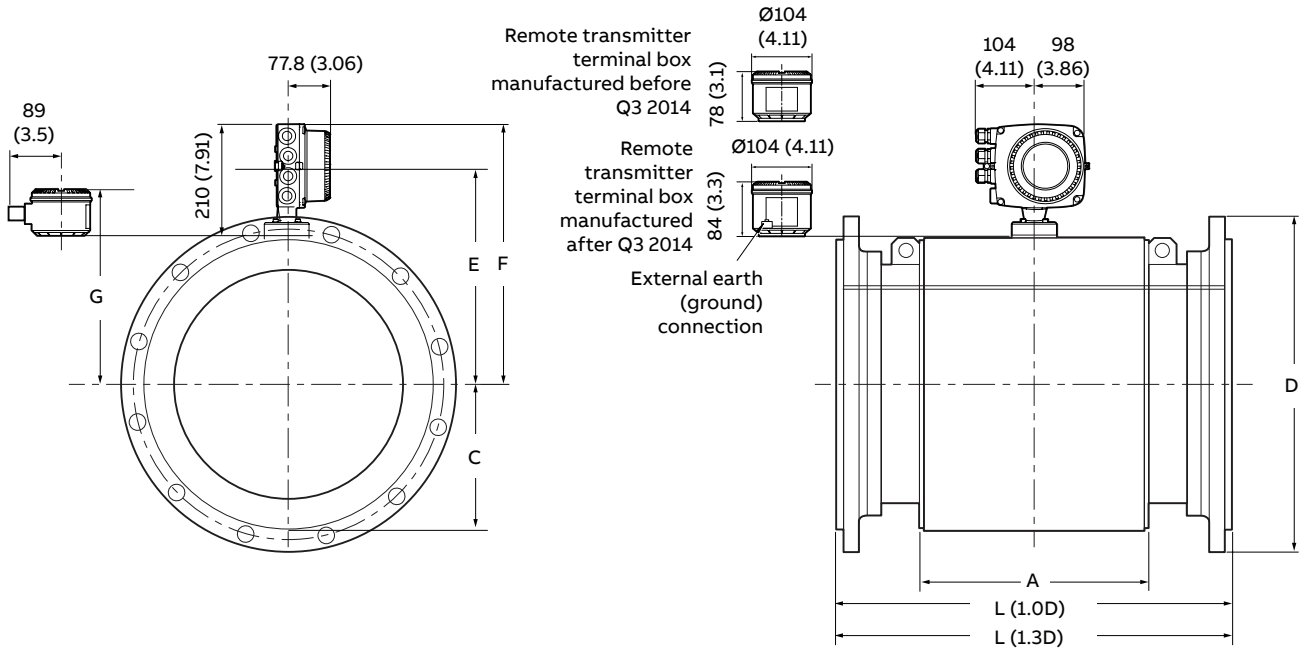
DN	Process connection type	Dimensions in mm (in.)							Approx. weight in kg (lb)	
		D	L	F	C	E	G	A	Integral	Remote
DN150 (6 in.)	PN10 to 16	285 (11.22)	300 (11.81)	371 (14.61)	146 (9.88)	296 (11.65)	251 (9.88)	166 (6.54)	33 (73)	31 (68)
	PN25 to 40	300 (11.81)							39 (86)	37 (81)
	JIS5K	265 (10.43)							33 (73)	31 (68)
	JIS10K	280 (11.02)							33 (73)	31 (68)
	AS4087 PN16	280 (11.02)							33 (73)	31 (68)
	AS4087 PN35	305 (11.81)							39 (86)	37 (81)
	ASME B16.5 CL300	320 (12.60)							47 (103)	45 (99)
	ASME B16.5 CL150	279 (10.98)							33 (73)	31 (68)
DN200 (8 in.)	PN10	340 (13.39)	350 (13.78)	411 (16.18)	170 (6.69)	336 (13.23)	291 (11.46)	200 (7.87)	41 (90)	39 (86)
	PN16	340 (13.39)							41 (90)	39 (86)
	PN25	360 (14.17)							55 (121)	53 (117)
	PN40	375 (14.76)							65 (143)	63 (139)
	AS4087 PN16	335 (13.19)							41 (90)	39 (86)
	AS4087 PN35	370 (14.57)							65 (143)	63 (139)
	JIS5K	320 (12.60)							41 (90)	39 (86)
	JIS10K	330 (12.99)							41 (90)	39 (86)
	ASME B16.5 CL300	380 (14.96)							72 (158)	70 (154)
	ASME B16.5 CL150	345 (13.58)							50 (110)	48 (106)
DN250 (10 in.)	PN10	395 (15.55)	450 (17.72)	426 (16.77)	198 (7.80)	351 (13.82)	306 (12.05)	235 (9.62)	61 (134)	59 (130)
	PN16	405 (15.94)							65 (143)	63 (139)
	PN25	425 (16.73)							84 (185)	82 (180)
	PN40	450 (17.72)							95 (209)	93 (205)
	AS4087 PN16	405 (15.94)							65 (143)	63 (139)
	AS4087 PN35	430 (16.93)							95 (209)	93 (205)
	JIS5K	385 (15.16)							65 (143)	63 (139)
	JIS10K	400 (15.75)							65 (143)	63 (139)
	ASME B16.5 CL300	445 (17.52)							105 (231)	103 (227)
	ASME B16.5 CL150	405 (15.94)							70 (154)	68 (150)
DN300 (12 in.)	PN10	445 (17.52)	500 (19.69)	449 (17.68)	228 (8.98)	374 (14.72)	329 (12.95)	272 (10.71)	74 (163)	72 (158)
	PN16	460 (18.11)							80 (176)	78 (172)
	PN25	485 (19.09)							100 (220)	98 (216)
	JIS5K	430 (16.93)							80 (176)	78 (172)
	JIS10K	445 (17.52)							80 (176)	78 (172)
	AS4087 PN16	455 (17.91)							80 (176)	78 (172)
	AS4087 PN35	490 (19.29)							130 (286)	128 (282)
	ASME B16.5 CL300	520 (20.47)							150 (330)	148 (326)
	ASME B16.5 CL150	485 (19.09)							105 (231)	103 (227)
	PN40	515 (20.28)							130 (286)	128 (282)
DN350 (14 in.)	PN10	505 (19.88)	550 (21.65)	464 (18.27)	265 (10.43)	389 (15.31)	344 (13.54)	322 (12.68)	95 (209)	93 (205)
	PN16	520 (20.47)							110 (242)	108 (238)
	PN25	555 (21.85)							145 (319)	143 (315)
	JIS5K	480 (18.90)							95 (209)	93 (205)
	JIS10K	490 (19.29)							95 (209)	93 (205)
	AS4087 PN16	525 (20.67)							130 (286)	128 (282)
	AS4087 PN35	550 (21.65)							185 (407)	183 (403)
	ASME B16.5 CL300	585 (23.03)							140 (308)	138 (304)
	ASME B16.5 CL150	535 (21.06)							105 (231)	103 (227)
	PN40	580 (22.83)							195 (429)	193 (425)
DN400 (16 in.)	PN10	565 (22.24)	600 (23.62)	506 (19.92)	265 (10.43)	431 (16.97)	386 (15.20)	322 (12.68)	103 (227)	101 (222)
	PN16	580 (22.83)							126 (277)	124 (273)
	PN25	620 (24.41)							170 (374)	168 (370)
	JIS5K	540 (21.26)							103 (227)	101 (223)
	JIS10K	560 (22.05)							116 (255)	114 (251)
	AS4087 PN16	580 (22.83)							154 (339)	152 (335)
	AS4087 PN35	610 (24.02)							302 (664)	300 (660)
	ASME B16.5 CL300	650 (25.59)							265 (583)	263 (578)
	ASME B16.5 CL150	600 (23.62)							175 (385)	173 (381)
	PN40	660 (25.98)							258 (568)	256 (564)

DN150 to 400 (6 to 16 in. NB) (FEW) dimensions / weights

### ...Sensor dimensions

#### FEW – DN450 to 2400 (18 to 96 in. NB)

Dimensions in mm (in.)



#### DN450 to 2400 (18 to 96 in. NB) (FEW)

DN	Process connection type	Dimensions in mm (in.)								Approx. weight in kg (lb)		
		D	L (1.0D)	L (1.3D)	F	C	E	G	A	Integral	Remote	
DN450 (18 in.)	PN10	615 (24.21)									173 (381)	171 (377)
	PN16	640 (25.20)									188 (414)	186 (410)
	JIS5K	605 (23.82)									165 (364)	163 (359)
	JIS10K	620 (24.41)		600							177 (390)	175 (386)
	AS4087 PN16	640 (25.20)	N/A	(23.62)	514 (20.24)	310 (12.20)	439 (17.28)	394 (15.51)	328 (12.91)		232 (511)	230 (507)
	AS4087 PN35	675 (26.57)									328 (723)	326 (718)
	ASME B16.5 CL300	710 (27.95)									368 (811)	366 (807)
	ASME B16.5 CL150	635 (25.00)									250 (551)	248 (547)
DN500 (20 in.)	PN25	670 (26.38)		686							245 (540)	243 (536)
	PN40	685 (26.97)	N/A	(27.01)							315 (694)	313 (690)
	PN10	670 (26.38)									190 (418)	188 (413)
	PN16	715 (28.15)									240 (528)	238 (524)
	JIS5K	655 (25.79)									190 (418)	188 (413)
	JIS10K	675 (26.57)	N/A	600							290 (638)	288 (634)
	AS4087 PN16	705 (27.76)		(23.62)							435 (957)	433 (953)
	AS4087 PN35	735 (28.94)			514 (20.24)	310 (12.20)	439 (17.28)	394 (15.51)	367 (14.45)		300 (660)	298 (656)
DN600 (24 in.)	ASME B16.5 CL300	775 (30.51)	N/A	762							490 (1080)	488 (1076)
			(30.00)	(30.00)								
	PN25	730 (28.74)	N/A	700							300 (661)	298 (657)
			(27.56)	(27.56)								
	PN40	755 (29.72)	N/A	762							392 (864)	390 (860)
			(30.00)	(30.00)								
	PN10	780 (30.71)									284 (626)	282 (622)
	PN16	840 (33.07)									318 (700)	316 (695)
DN600 (24 in.)	PN25	845 (33.27)									460 (1012)	458 (1008)
	JIS5K	770 (30.31)									275 (605)	273 (600)
	JIS10K	795 (31.30)	N/A	800							306 (673)	304 (668)
			(31.50)		565 (22.24)	361 (14.21)	490 (19.29)	445 (17.52)	469 (18.46)		382 (840)	380 (835)
	AS4087 PN16	825 (32.48)									452 (994)	450 (990)
	AS4087 PN35	850 (33.46)									550 (1210)	548 (1205)
	ASME B16.5 CL300	915 (36.02)									425 (935)	423 (930)
	ASME B16.5 CL150	815 (32.09)										
PN40	890 (35.04)	N/A	890							600 (1320)	598 (1316)	
		(35.04)	(35.04)									

#### DN450 to 600 (18 to 24 in. NB) (FEW) dimensions / weights

DN	Process connection type	Dimensions in mm (in.)								Approx. weight in kg (lb)		
		D	L (1.0D)	L (1.3D)	F	C	E	G	A	Integral	Remote	
DN700 (28 in.)	JIS 5K	875 (34.45)									216 (475)	214 (471)
	JIS 10K	905 (35.63)									282 (620)	280 (616)
	PN6	860 (33.86)									225 (495)	223 (491)
	PN10	895 (35.24)									303 (667)	301 (662)
	PN16	910 (35.83)									337 (741)	335 (737)
	AWWA C207 CLASS B	927 (36.50)									249 (548)	247 (543)
	AWWA C207 CLASS D	927 (36.50)									280 (616)	278 (612)
	AS4087 PN16	910 (35.83)									359 (790)	357 (785)
	AS2129 TABLE-D	910 (35.83)	700	910							263 (579)	261 (574)
	AS2129 TABLE-E	910 (35.83)	(27.56)	(35.83)	604 (23.77)	403 (15.87)	528 (20.79)	488 (19.21)	444 (17.48)		337 (741)	335 (737)
	PN25	960 (37.80)									471 (10.36)	469 (1032)
	PN40	995 (39.17)									586 (1289)	584 (1285)
	AWWA C207 CLASS E	927 (36.50)									472 (1038)	470 (1034)
	AWWA C207 CLASS F	1035 (40.75)									715 (1573)	713 (1569)
	AS4087 PN35	935 (36.80)									539 (1186)	537 (1181)
	ASME CL150 SERIES A	925 (36.42)									503 (1107)	501 (1102)
	ASME CL150 SERIES B	835 (32.87)									323 (711)	321 (706)
ASME CL300 SERIES B	920 (36.22)									631 (1388)	629 (1384)	
DN750 (30 in.)	JIS 5K	945 (37.20)									251 (552)	249 (548)
	JIS 10K	970 (38.19)									327 (719)	325 (715)
	AWWA C207 CLASS B	984 (38.74)									273 (601)	271 (596)
	AWWA C207 CLASS D	984 (38.74)									344 (757)	342 (752)
	AS4087 PN16	995 (39.17)									467 (1027)	465 (1023)
	AS2129 TABLE-D	995 (39.17)									340 (748)	338 (744)
	AS2129 TABLE-E	995 (39.17)	750	990							454 (999)	452 (994)
	AWWA C207 CLASS E	984 (38.74)	(29.52)	(38.98)	630 (24.79)	429 (16.89)	554 (21.81)	514 (20.23)	444 (17.48)		496 (1091)	494 (1087)
	AWWA C207 CLASS F	1092 (43.99)									790 (1738)	788 (1734)
	AS4087 PN35	1015 (39.96)									663 (1459)	661 (1454)
	ASME CL150 SERIES A	985 (38.78)									544 (1197)	542 (1192)
	ASME CL150 SERIES B	885 (34.84)									320 (704)	318 (700)
	ASME CL300 SERIES B	990 (38.98)									748 (1646)	746 (1641)
	JIS 5K	995 (39.17)									280 (616)	278 (612)
	JIS 10K	1020 (40.16)									364 (801)	362 (796)
	PN6	975 (38.39)									294 (647)	292 (642)
	PN10	1015 (39.96)									406 (893)	404 (889)
PN16	1025 (40.35)									469 (1032)	467 (1027)	
AWWA C207 CLASS B	1060 (41.73)									328 (722)	326 (717)	
AWWA C207 CLASS D	1060 (41.73)									408 (898)	406 (893)	
AS4087 PN16	1060 (41.73)									530 (1166)	528 (1162)	
AS2129 TABLE-D	1060 (41.73)	800	1040							386 (849)	384 (845)	
AS2129 TABLE-E	1060 (41.73)	(31.49)	(40.04)	654 (25.74)	453 (17.83)	578 (22.76)	538 (21.18)	542 (21.34)		519 (1142)	517 (1137)	
PN25	1085 (42.72)									615 (1353)	613 (1349)	
PN40	1140 (44.88)									866 (1905)	864 (1901)	
AWWA C207 CLASS E	1060 (41.73)									634 (1395)	632 (1390)	
AWWA C207 CLASS F	1150 (45.28)									897 (1973)	895 (1969)	
AS4087 PN35	1060 (41.73)									751 (1652)	749 (1648)	
ASME CL150 SERIES A	1060 (41.73)									700 (1540)	698 (1536)	
ASME CL150 SERIES B	940 (37.01)									406 (893)	404 (889)	
ASME CL300 SERIES B	1055 (41.54)									933 (2053)	931 (2048)	
DN800 (32 in.)	JIS 5K	1095 (43.11)									369 (812)	367 (807)
	JIS 10K	1120 (44.09)									445 (979)	443 (975)
	PN6	1075 (42.32)									390 (858)	388 (854)
	PN10	1115 (43.90)									502 (1104)	500 (1100)
	PN16	1125 (44.29)									589 (1296)	587 (1291)
	AWWA C207 CLASS B	1168 (45.98)									417 (917)	415 (913)
	AWWA C207 CLASS D	1168 (45.98)									493 (1085)	491 (1080)
	AWWA C207 CLASS E	1168 (45.98)									827 (1819)	825 (1815)
	AWWA C207 CLASS F	1270 (50.00)	900	1170							1150 (2530)	1148 (2526)
	AS4087 PN16	1175 (46.26)	(35.43)	(46.06)	705 (27.70)	504 (19.84)	629 (24.76)	589 (23.19)	570 (22.44)		706 (1553)	704 (1549)
	AS2129 TABLE-D	1175 (46.26)									514 (1131)	512 (1126)
	AS2129 TABLE-E	1175 (46.26)									694 (1527)	692 (1522)
	PN25	1185 (46.65)									819 (1802)	817 (1797)
	PN40	1250 (49.21)									1158 (2548)	1156 (2543)
	AS4087 PN35	1185 (46.65)									1044 (2297)	1042 (2292)
	ASME CL150 SERIES A	1170 (46.06)									961 (2114)	959 (2110)
	ASME CL150 SERIES B	1055 (41.54)									595 (1309)	593 (1305)
ASME CL300 SERIES B	1170 (46.06)									1147 (2523)	1145 (2519)	

DN700 to 900 (28 to 36 in. NB) (FEW) dimensions / weights

### ...Sensor dimensions

...FEW – DN450 to 2400 (18 to 96 in. NB)

Dimensions in mm (in.)

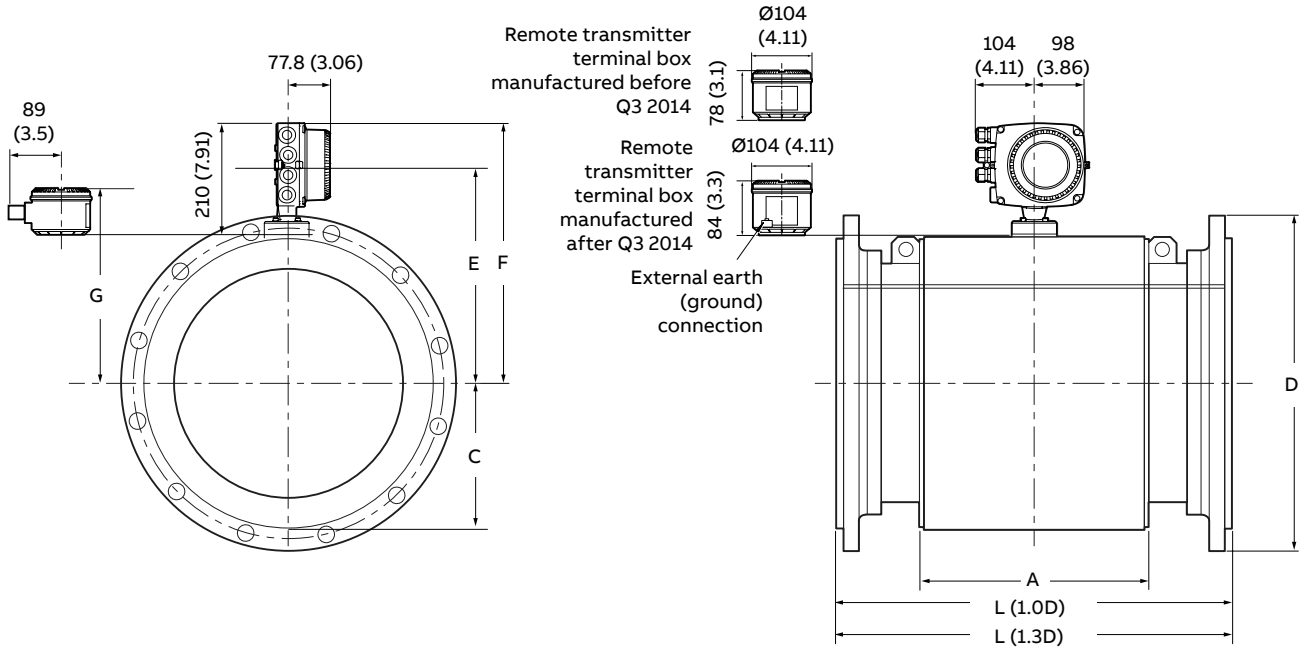


Figure 13 DN450 to 2400 (18 to 96 in. NB) (FEW)

DN	Process connection type	Dimensions in mm (in.)							Approx. weight in kg (lb)			
		D	L (1.0D)	L (1.3D)	F	C	E	G	A	Integral	Remote	
DN1000 (40 in.)	JIS 5K	1195 (47.05)									441 (970)	439 (966)
	JIS 10K	1235 (48.62)									572 (1258)	570 (1254)
	PN6	1175 (46.26)									466 (1025)	464 (1021)
	PN10	1230 (48.43)									674 (1483)	672 (1478)
	PN16	1255 (49.41)									879 (1934)	877 (1929)
	AWWA C207 CLASS B	1289 (50.75)									503 (1107)	501 (1102)
	AWWA C207 CLASS D	1289 (50.75)									659 (1450)	657 (1445)
	AWWA C207 CLASS E	1289 (50.75)									1028 (2262)	1026 (2257)
	AWWA C207 CLASS F	1378 (54.25)									1367 (3007)	1365 (3003)
	AS4087 PN16	1255 (49.41)	1000 (39.37)	1300 (51.18)		755 (29.71)	554 (21.81)	679 (26.73)	639 (25.16)	624 (24.57)	831 (1828)	829 (1824)
	AS2129 TABLE-D	1255 (49.41)									610 (1342)	608 (1338)
	AS2129 TABLE-E	1255 (49.41)									833 (1833)	831 (1028)
	PN25	1320 (51.97)									1207 (2655)	1205 (2651)
	PN40	1360 (53.54)									1413 (3109)	1411 (3104)
	AS4087 PN35	1275 (50.20)									1244 (2737)	1242 (2732)
	ASME CL150 SERIES A	1290 (50.79)									1149 (2528)	1147 (2523)
ASME CL300 SERIES A	1240 (48.82)									1349 (2968)	1347 (2963)	
ASME CL150 SERIES B	1175 (46.26)									738 (1624)	736 (1619)	
ASME CL300 SERIES B	1275 (50.20)									1487 (3271)	1485 (3267)	
DN1050 (42 in.)	AWWA C207 CLASS B	1346 (52.99)									564 (1241)	562 (1236)
	AWWA C207 CLASS D	1346 (52.99)									669 (1472)	667 (1467)
	AWWA C207 CLASS E	1346 (52.99)									1143 (2515)	1141 (2510)
	AWWA C207 CLASS F	1448 (57.01)	1050 (41.33)	1365 (53.74)							1568 (3450)	1566 (3445)
	ASME CL150 SERIES B	1225 (48.23)									809 (1780)	807 (1775)
	ASME CL150 SERIES A	1345 (52.95)									1289 (2836)	1287 (2831)
DN1100 (44 in.)	ASME CL300 SERIES A	1290 (50.79)									1527 (3359)	1525 (3355)
	ASME CL300 SERIES B	1335 (52.56)			808 (31.82)	608 (23.92)	733 (28.84)	693 (27.28)	624 (24.57)	1704 (3749)	1702 (3744)	
	JIS 5K	1305 (51.38)									510 (1122)	508 (1118)
	JIS 10K	1345 (52.95)									689 (1516)	687 (1511)
	AWWA C207 CLASS B	1403 (55.24)									615 (1353)	613 (1349)
	AWWA C207 CLASS D	1403 (55.24)	1100 (43.30)	1430 (56.30)							807 (1775)	805 (1771)
DN1100 (44 in.)	AWWA C207 CLASS E	1404 (55.26)									1205 (2651)	1203 (2647)
	AWWA C207 CLASS F	1505 (59.25)									1719 (3782)	1717 (3777)
	PN10	2760 (108.66)									6968 (15330)	6966 (15325)

DN1000 to 1100 (40 to 44 in. NB) (FEW) dimensions / weights

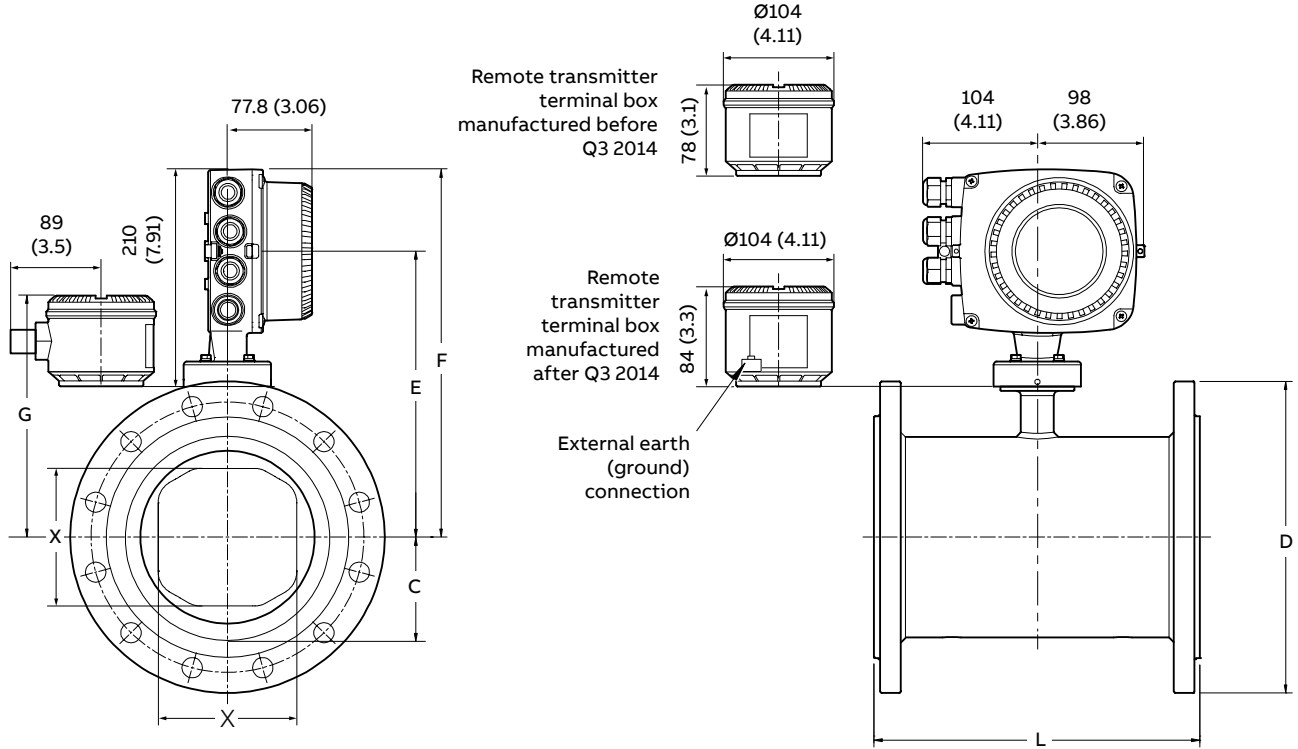
DN	Process connection type	Dimensions in mm (in.)								Approx. weight in kg (lb)		
		D	L (1.0D)	L (1.3D)	F	C	E	G	A	Integral	Remote	
DN1200 (48 in.)	JIS 5K	1420 (55.91)									651 (1432)	649 (1428)
	JIS 10K	1465 (57.68)									967 (2127)	965 (2123)
	PN6	1405 (55.31)									710 (1562)	708 (1558)
	PN10	1455 (57.28)									1107 (2435)	1105 (2431)
	PN16	1485 (58.46)									1363 (2999)	1361 (2994)
	AWWA C207 CLASS B	1511 (59.49)									772 (1698)	770 (1694)
	AWWA C207 CLASS D	1511 (59.49)									999 (2198)	997 (2193)
	AWWA C207 CLASS E	1511 (59.49)									1458 (3208)	1456 (3203)
	AWWA C207 CLASS F	1651 (65.00)									2400 (5280)	2398 (5276)
	AS4087 PN16	1490 (58.66)	1200 (47.24)	1560 (61.42)	860 (33.85)	659 (25.94)	784 (30.87)	744 (29.29)	802 (31.57)		1253 (2757)	1251 (2752)
	AS2129 TABLE-D	1490 (58.66)									1023 (2251)	1021 (2246)
	AS2129 TABLE-E	1490 (58.66)									1272 (2798)	1270 (2794)
	PN25	1530 (60.24)									1559 (3430)	1557 (3425)
	PN40	1575 (62.01)									2133 (4693)	2131 (4688)
	AS4087 PN35	1530 (60.24)									2115 (4653)	2113 (4649)
	ASME CL150 SERIES A	1510 (59.45)									1707 (3755)	1705 (3751)
ASME CL300 SERIES A	1465 (57.68)									2163 (4759)	2161 (4754)	
ASME CL150 SERIES B	1390 (54.72)									1085 (2387)	1083 (2383)	
ASME CL300 SERIES B	1510 (59.45)									2352 (5174)	2350 (5170)	
DN1350 (54 in.)	AWWA C207 CLASS B	1683 (66.26)	1350 (53.15)	1755 (69.09)							981 (2158)	979 (2154)
	AWWA C207 CLASS D	1683 (66.26)									1213 (2669)	1211 (2664)
	AWWA C207 CLASS E	1683 (66.26)									1942 (4272)	1940 (4268)
DN1400 (56 in.)	PN6	1630 (64.17)									1085 (2387)	1083 (2383)
	PN10	1675 (65.94)									1731 (3808)	1729 (3804)
	PN16	1685 (66.34)									1770 (3894)	1768 (3890)
	ASME CL150 SERIES B	1600 (62.99)			955 (37.59)	754 (29.69)	879 (34.61)	839 (33.03)	902 (35.51)		1593 (3505)	1591 (3500)
	PN25	1755 (69.09)	1400 (55.11)	1820 (71.65)							2368 (5210)	2366 (5205)
	PN40	1795 (70.67)									3086 (6789)	3084 (6785)
	ASME CL150 SERIES A	1745 (68.70)									2556 (5623)	2554 (5619)
ASME CL300 SERIES A	1710 (67.32)									3376 (7427)	3374 (7423)	
ASME CL300 SERIES B	1765 (69.49)									3758 (8268)	3756 (8263)	
DN1500 (60 in.)	JIS 5K	1730 (68.11)									1029 (2264)	1027 (2259)
	JIS 10K	1795 (70.67)									1504 (3309)	1502 (3304)
	ASME CL150 SERIES B	1725 (67.91)									2031 (4468)	2029 (4464)
	AWWA C207 CLASS B	1854 (72.99)	1500 (59.05)	1950 (76.77)	1065 (41.92)	864 (34.02)	989 (38.94)	949 (37.36)	910 (35.83)		1229 (2704)	1227 (2699)
	AWWA C207 CLASS D	1854 (72.99)									1514 (3331)	1512 (3326)
	AWWA C207 CLASS E	1854 (72.99)									2544 (5597)	2542 (5592)
	ASME CL150 SERIES A	1855 (73.03)									3084 (6785)	3082 (6780)
	ASME CL300 SERIES A	1810 (71.26)									3875 (8525)	3873 (8521)
ASME CL300 SERIES B	1880 (74.02)									4181 (9198)	4179 (9194)	
DN1600 (64 in.)	PN6	1830 (72.05)									1434 (3155)	1432 (3150)
	PN10	1915 (75.39)									2525 (5555)	2523 (5551)
	PN25	1975 (77.76)	1600 (62.99)	2080 (81.89)	1066 (41.96)	865 (34.06)	990 (38.98)	950 (37.4)	1000 (39.37)		3201 (7042)	3199 (7038)
	PN16	1930 (75.98)									2768 (6090)	2766 (6085)
	PN40	2025 (79.72)									4375 (9625)	4373 (9621)
DN1650 (66 in.)	AWWA C207 CLASS B	2032 (80.00)	N/A	2145 (84.45)	1116 (43.94)	915 (36.02)	1040 (40.94)	1000 (39.37)	1000 (39.37)		1504 (3309)	1502 (3304)
	AWWA C207 CLASS D	2032 (80.00)									2025 (4455)	2023 (4451)
DN1800 (72 in.)	PN6	2045 (80.51)									1853 (4077)	1851 (4072)
	PN10	2115 (83.27)									3180 (6996)	3178 (6992)
	PN16	2130 (83.86)	N/A	2340 (92.13)	1181 (46.50)	980 (38.58)	1105 (43.50)	1065 (41.93)	1100 (43.31)		3657 (8045)	3655 (8041)
	PN25	2195 (86.42)									4422 (9728)	4420 (9724)
DN1950 (78 in.)	AWWA C207 CLASS B	2197 (86.50)									1773 (3901)	1771 (3896)
	AWWA C207 CLASS D	2197 (86.50)									2387 (5251)	2385 (5247)
DN2000 (80 in.)	AWWA C207 CLASS B	2362 (92.99)	N/A	2535 (99.80)							2309 (5080)	2307 (5075)
	AWWA C207 CLASS D	2362 (92.99)									3037 (6681)	3035 (6677)
DN2100 (84 in.)	PN6	2265 (89.17)									2581 (5678)	2579 (5674)
	PN10	2325 (91.54)	N/A	2600 (102.36)	1291 (50.81)	1090 (42.91)	1215 (47.83)	1175 (46.26)	1180 (46.46)		4254 (9359)	4252 (9354)
	PN16	2345 (92.32)									4556 (10023)	4554 (10019)
DN2200 (88 in.)	PN25	2425 (95.47)									5896 (12971)	5894 (12967)
	AWWA C207 CLASS B	2534 (99.76)	N/A	2730 (107.48)							2641 (5810)	2639 (5806)
DN2400 (96 in.)	AWWA C207 CLASS D	2534 (99.76)			1395 (54.91)	1194 (47.01)	1319 (51.93)	1279 (50.35)		1180 (46.46)	3487 (7671)	3485 (7667)
	PN6	2475 (97.44)	N/A	2860 (112.60)							3363 (7399)	3361 (7394)
DN2400 (96 in.)	PN10	2550 (100.39)									5795 (12749)	5793 (12745)
	PN6	2685 (105.71)	N/A	3120 (122.83)	1495 (58.85)	1294 (50.94)	1419 (55.87)	1379 (54.29)	1450 (57.09)		4100 (9020)	4098 (9016)
	PN10	2760 (108.66)									6968 (15330)	6966 (15325)

DN12000 to 2400 (48 to 96 in. NB) (FEW) dimensions / weights



## ...Sensor dimensions

FEV – DN40 to 200 (1½ to 8 in. NB)



### DN40 to 200 (1½ to 8 in. NB) (FEV)

DN	Process connection type	Dimensions in mm (in.)						Approx. weight in kg (lb)	
		D	L	F	E	G	X	Integral	Remote
DN40 (1½ in.)	EN1092-1 PN10, 16, 25, 40	150 (5.91)	200 (7.87)	260 (10.24)	185 (7.28)	137 (5.39)	30 (1.18)	12.8 (28.16)	11.8 (25.96)
	ASME B16.5 CLASS 150								
	AS2129 TABLE D, E, F								
DN50 (2 in.)	EN1092-1 PN10, 16, 25, 40	165 (6.50)	200 (7.87)	261 (10.28)	186 (7.32)	138 (5.43)	38 (1.5)	13.75 (30.25)	12.75 (28.05)
	ASME B16.5 CLASS 150								
	AS2129 TABLE D, E, F								
DN80 (3 in.)	EN1092-1 PN10, 16, 25, 40	200 (7.87)	200 (7.87)	280 (11.04)	205.5 (8.09)	157.5 (6.2)	61 (2.4)	17.2 (37.84)	16.2 (35.64)
	ASME B16.5 CLASS 150								
	AS4087 PN16, 21								
DN100 (4 in.)	EN1092-1 PN10, 16, 25, 40	225 (8.86)	250 (9.84)	300.5 (11.83)	225.5 (8.88)	177.5 (6.98)	70 (2.76)	19.3 (42.5)	18.3 (40.3)
	ASME B16.5 CLASS 150								
	AS4087 PN16								
DN150 (6 in.)	EN1092-1 PN10, 16, 25, 40	300 (11.81)	300 (11.81)	333.5 (13.13)	258.5 (10.18)	210.5 (8.29)	103 (4.06)	35.1 (77.2)	34.1 (75)
	ASME B16.5 CLASS 150								
	AS4087 PN16								
DN200 (8 in.)	EN1092-1 PN10, 16	375 (11.76)	350 (13.78)	358.7 (14.12)	283.7 (11.17)	235.7 (9.28)	150 (5.91)	67 (147.4)	66 (145.2)
	ASME B16.5 CLASS 150								
	AS2129 TABLE C, D, E, F								
	AS4087 PN14, 16, 21								

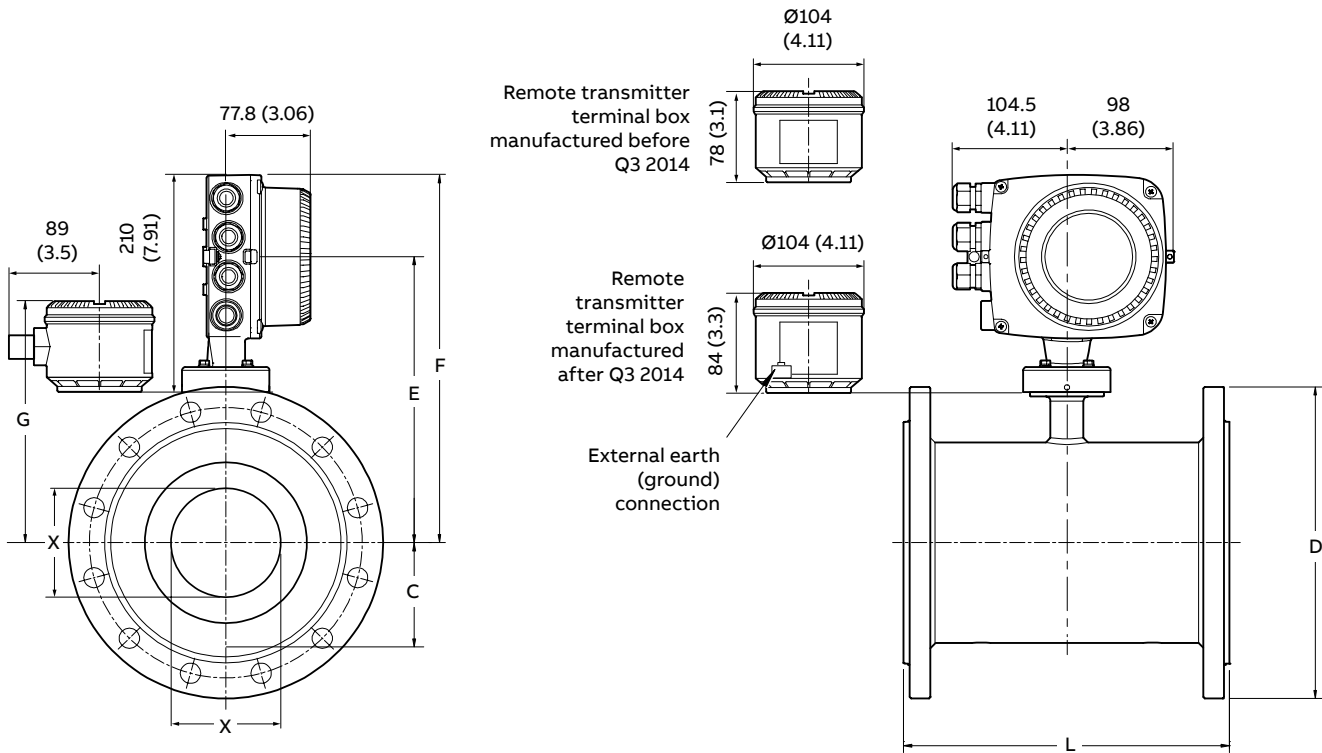
WaterMaster integral / remote FEV – DN40 to 200 (1½ to 8 in.) cast iron sensor dimensions / weights

DN	Process connection type	Dimensions in mm (in.)						Approx. weight in kg (lb)		
		D	L	F	C	E	G	X	Integral	Remote
DN40 (1½ in.)	EN1092-1 PN10, PN40	150 (5.91)	200 (7.87)	260 (10.24)	30.4 (1.20)	185 (7.28)	138 (5.43)	30 (1.18)	12 (27)	11 (24)
	ASME B16.5 CLASS 150	127 (5.00)								
	JIS 10K	140 (5.51)								
	AS2129 TABLE F	140 (5.51)								
	AS2129 TABLE C D E	135 (5.31)								
	AS4087 PN14	135 (5.31)								
DN50 (2 in.)	EN1092-1 PN10, PN16	165 (6.50)	200 (7.87)	270 (10.63)	38.3 (1.51)	195 (7.68)	146 (5.75)	38 (1.50)	13 (29)	12 (27)
	ASME B16.5 CLASS 150	152.4 (6.00)								
	JIS 10K	155 (6.10)								
	AS4087 PN21	165 (6.50)								
	AS2129 TABLE F	165 (6.50)								
	AS2129 TABLE C D E	150 (5.91)								
DN65 (2½ in.)	AS4087 PN14, PN16	150 (5.91)	200 (7.87)	275 (10.83)	45.2 (1.78)	200 (7.87)	152 (5.98)	48 (1.89)	15 (33)	14 (31)
	AS4087 PN14, PN16	165 (6.50)								
	AS2129 TABLE C D E	165 (6.50)								
	EN1092-1 PN10	185 (7.28)								
	EN1092-1 PN16	185 (7.28)								
	EN1092-1 PN10, PN16	200 (7.87)								
DN80 (3 in.)	ASME B16.5 CLASS 150	190 (7.48)	200 (7.87)	280 (11.02)	51.5 (2.03)	205 (8.07)	156 (6.14)	61 (2.40)	16 (36)	15 (33)
	JIS 7.5K	211 (8.31)								
	JIS 10K	185 (7.28)								
	AS2129 TABLE C D E	185 (7.28)								
	AS4087 PN14, PN16	185 (7.28)								
	AS2129 TABLE F	205 (8.07)								
DN100 (4 in.)	AS4087 PN21	205 (8.07)	250 (9.84)	320 (12.60)	63.75 (2.51)	245 (9.65)	196.8 (7.75)	70 (2.76)	19 (42)	18 (40)
	EN1092-1 PN10, PN16	220 (8.66)								
	ASME B16.5 CLASS 150	228.6 (9.00)								
	JIS 7.5K	238 (9.37)								
	JIS 10K	210 (8.27)								
	AS2129 TABLE C D	215 (8.46)								
DN125 (5 in.)	AS2129 TABLE E	215 (8.46)	250 (9.84)	320 (12.60)	63.75 (2.51)	245 (9.65)	197 (7.76)	70 (2.76)	20 (44)	19 (42)
	AS4087 PN21	230 (9.06)								
	AS2129 TABLE F	230 (9.06)								
	EN1092-1 PN10, PN16	250 (9.84)								
	ASME B16.5 CLASS 150	254 (10.00)								
	JIS 10K	250 (9.84)								
DN150 (6 in.)	AS2129 TABLE C D E	255 (10.04)	300 (11.81)	340 (13.39)	84.4 (3.32)	265 (10.43)	217 (8.54)	103 (4.06)	32 (70)	31 (68)
	AS2129 TABLE F	280 (11.02)								
	EN1092 PN10, PN16	285 (11.22)								
	ASME B16.5 CLASS 150	279 (10.98)								
	JIS 7.5k	290 (11.42)								
	JIS 10K	280 (11.02)								
DN200 (8 in.)	AS2129 TABLE C D	280 (11.02)	350 (13.78)	365 (14.37)	109.8 (4.32)	290 (11.42)	243 (9.57)	150 (5.91)	49 (108)	48 (105)
	AS4087 PN14, PN16	280 (11.02)								
	AS2129 TABLE E	280 (11.02)								
	AS2129 TABLE F	305 (12.01)								
	AS4087 PN21	305 (12.01)								
	EN1092-1 PN10	340 (13.39)								
DN200 (8 in.)	EN1092-1 PN16	340 (13.39)	350 (13.78)	365 (14.37)	109.8 (4.32)	290 (11.42)	243 (9.57)	150 (5.91)	49 (108)	48 (105)
	ASME B16.5 CLASS 150	345 (13.58)								
	JIS 7.5K	342 (13.46)								
	JIS 10K	330 (12.99)								
	AS2129 TABLE C D	335 (13.19)								
	AS4087 PN14, PN 16	335 (13.19)								
DN200 (8 in.)	AS2129 TABLE E	335 (13.19)	350 (13.78)	365 (14.37)	109.8 (4.32)	290 (11.42)	243 (9.57)	150 (5.91)	49 (108)	48 (105)
	AS2129 TABLE F	370 (14.57)								
	AS4087 PN21	370 (14.57)								

DN40 to 200 (1½ to 8 in. NB) (FEV) dimensions / weights

## ...Sensor dimensions

FER – DN40 to 300 (1½ to 12 in. NB)



DN40 to 300 (1½ to 12 in. NB) (FER)

DN	Process connection type	Dimensions in mm (in.)						Approx. weight in kg (lb)	
		D	L	F	E	G	X	Integral	Remote
DN40 (1½ in.)	EN1092-1 PN10, 16, 25, 40	150 (5.91)	200 (7.87)	260 (10.24)	185 (7.28)	137 (5.39)	23.5 (0.93)	13.4 (29.5)	12.4 (27.3)
	ASME B16.5 CLASS 150								
	AS2129 TABLE D, E, F								
DN50 (2 in.)	EN1092-1 PN10, 16, 25, 40	165 (6.50)	200 (7.87)	261 (10.28)	186 (7.32)	138 (5.43)	29 (1.14)	14.75 (32.45)	13.75 (30.25)
	ASME B16.5 CLASS 150								
	EN1092-1 PN10, 16, 25, 40								
DN80 (3 in.)	ASME B16.5 CLASS 150	200 (7.87)	200 (7.87)	280 (11.04)	205.5 (8.09)	157.5 (6.2)	47 (1.85)	21.2 (46.64)	20.2 (44.4)
	AS4087 PN16, 21								
	AS2129 TABLE D, E, F								
DN100 (4 in.)	EN1092-1 PN10, 16, 25, 40	225 (8.86)	250 (9.84)	300.5 (11.83)	225.5 (8.88)	177.5 (6.98)	64 (2.52)	27.3 (60)	26.3 (58)
	ASME B16.5 CLASS 150								
	AS4087 PN16								
DN150 (6 in.)	EN1092-1 PN10, 16, 25, 40	300 (11.81)	300 (11.81)	333.5 (13.13)	258.5 (10.18)	210.5 (8.29)	100.2 (3.94)	27.3 (60)	26.3 (58)
	ASME B16.5 CLASS 150								
	AS4087 PN16								
DN200 (8 in.)	EN1092-1 PN10, 16	375 (11.76)	350 (13.78)	358.7 (14.12)	283.7 (11.17)	235.7 (9.28)	126.7 (5.00)	68 (150)	67 (147.4)
	ASME B16.5 CLASS 150								
	AS2129 TABLE C, D, E, F								
	AS4087 PN14, 16, 21								

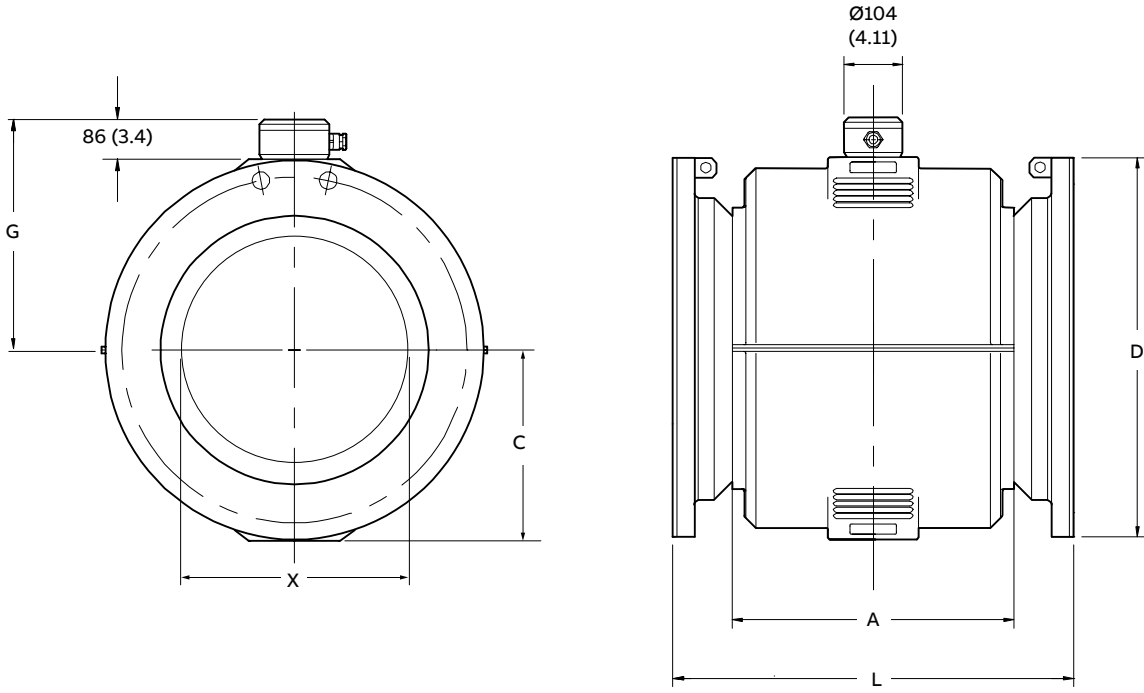
DN40 to 200 (1½ to 8 in. NB) (FER) cast iron sensor dimensions / weights

DN	Process connection type	Dimensions in mm (in.)							Approx. weight in kg (lb)	
		D	L	F	C	E	G	X	Integral	Remote
DN40 (1½ in.)	EN1092-1 PN10, 16, 25, 40	150 (5.91)	200 (7.87)	260 (10.24)	30.4 (1.20)	185 (7.28)	138 (5.43)	23.5 (0.93)	13 (29)	11 (24)
	ASME B16.5 CLASS 150	127 (5.00)								
	JIS 10K	140 (5.51)								
	AS2129 TABLE C D E	135 (5.31)								
	AS2129 TABLE F	140 (5.51)								
AS4087 PN14	135 (5.31)									
DN50 (2 in.)	EN1092-1 PN10, 16, 25, 40	165 (6.50)	200 (7.87)	270 (10.63)	38.3 (1.51)	195 (7.68)	146 (5.75)	29 (1.14)	14 (31)	12 (27)
	ASME B16.5 CLASS 150	152.4 (6.00)								
	JIS 10K	155 (6.10)								
	AS4087 PN21	165 (6.50)								
	AS2129 TABLE F	165 (6.50)								
AS2129 TABLE C D E	150 (5.91)									
AS4087 PN14, PN16	150 (5.91)									
DN65 (2½ in.)	EN1092-1 PN10, 16, 25, 40	185 (7.28)	200 (7.87)	275 (10.83)	45.2 (1.78)	200 (7.87)	152 (5.98)	37 (1.46)	15 (33)	13 (29)
	ASME B16.5 CLASS 150	178 (7.00)								
	JIS10K	175 (6.89)								
	AS2129 TABLE C D E	165 (6.50)								
	AS2129 TABLE F	185 (7.28)								
AS4087 PN14, 16	165 (6.50)									
AS4087 PN21	185 (7.28)									
DN80 (3 in.)	EN1092-1 PN10, 16, 25, 40	200 (7.87)	200 (7.87)	280 (11.02)	51.5 (2.03)	205 (8.07)	156 (6.14)	47 (1.85)	20 (44)	18 (40)
	ASME B16.5 CLASS 150	190 (7.48)								
	JIS 10K	185 (7.28)								
	AS2129 TABLE C D E	185 (7.28)								
	AS4087 PN14, 16	185 (7.28)								
AS2129 TABLE F	205 (8.07)									
AS4087 PN21	205 (8.07)									
DN100 (4 in.)	EN1092-1 PN10, 16	220 (8.66)	250 (9.84)	320 (12.60)	63.75 (2.51)	245 (9.65)	196.8 (7.75)	64 (2.52)	27 (59)	25 (55)
	EN1092-1 PN25, 40	235 (9.25)								
	ASME B16.5 CLASS 150	228.6 (9.00)								
	JIS 7.5K	238 (9.37)								
	JIS 10K	210 (8.27)								
AS2129 TABLE C D	215 (8.46)									
AS4087 PN14, 16	215 (8.46)									
AS4087 PN21	230 (9.06)									
DN125 (5 in.)	EN1092-1 PN10, 16	250 (9.84)	250 (9.84)	320 (12.60)	63.75 (2.51)	245 (9.65)	197 (7.76)	64 (2.52)	27 (59)	25 (55)
	EN1092-1 PN25, 40	270 (10.63)								
	ASME B16.5 CLASS 150	254 (10.00)								
	JIS 10K	250 (9.84)								
	AS2129 TABLE C D	255 (10.04)								
DN150 (6 in.)	EN1092 PN10, 16	285 (11.22)	300 (11.81)	340 (13.39)	84.4 (3.32)	265 (10.43)	217 (8.54)	100.2 (3.94)	33 (72)	31 (68)
	EN1092 PN25, 40	300 (11.81)								
	ASME B16.5 CLASS 150	279 (10.98)								
	JIS 7.5k	290 (11.42)								
	JIS 10K	280 (11.02)								
AS2129 TABLE C D	280 (11.02)									
AS4087 PN14, 16	280 (11.02)									
AS4087 PN21	305 (12.01)									
DN200 (8 in.)	EN1092-1 PN10, 16	340 (13.39)	350 (13.78)	365 (14.37)	109.8 (4.32)	290 (11.42)	243 (9.57)	126.7 (4.99)	50 (110)	48 (106)
	EN1092-1 PN25, 40	360 (14.17)								
	ASME B16.5 CLASS 150	345 (13.58)								
	JIS 7.5K	342 (13.46)								
	JIS 10K	330 (12.99)								
AS2129 TABLE C D	335 (13.19)									
AS4087 PN14, 16	335 (13.19)									
AS4087 PN21	370 (14.57)									
DN250 (10 in.)	EN1092-1 PN10	395 (15.55)	450 (17.72)	389 (15.31)	136.8 (5.39)	313 (12.33)	268 (10.55)	153.5 (6.04)	77 (169)	75 (165)
	EN1092-1 PN16	405 (15.94)								
	EN1092-1 PN25	425 (16.73)								
	ASME B16.5 CLASS 150	405 (15.94)								
	JIS 7.5K	400 (15.75)								
JIS 10K	400 (15.75)									
AS2129 TABLE C D	405 (15.94)									
AS4087 PN14, 16	405 (15.94)									
AS4087 PN21	430 (16.93)									
DN300 (12 in.)	EN1092-1 PN10	445 (17.52)	500 (19.69)	414 (16.30)	162.2 (6.39)	338.6 (13.33)	294 (1157)	203.5 (8.01)	114 (251)	112 (247)
	EN1092-1 PN16	460 (18.11)								
	EN1092-1 PN25	485 (19.09)								
	ASME B16.5 CLASS 150	485 (19.09)								
	JIS 10K	445 (17.52)								
AS2129 TABLE C D	455 (17.91)									
AS4087 PN14, 16	455 (17.91)									
AS4087 PN21	490 (19.29)									

DN40 to 300 (1½ to 12 in. NB) (FER) dimensions / weights

**... Sensor dimensions**

**FER – DN350 to 600 (14 to 24 in. NB) remote sensor**

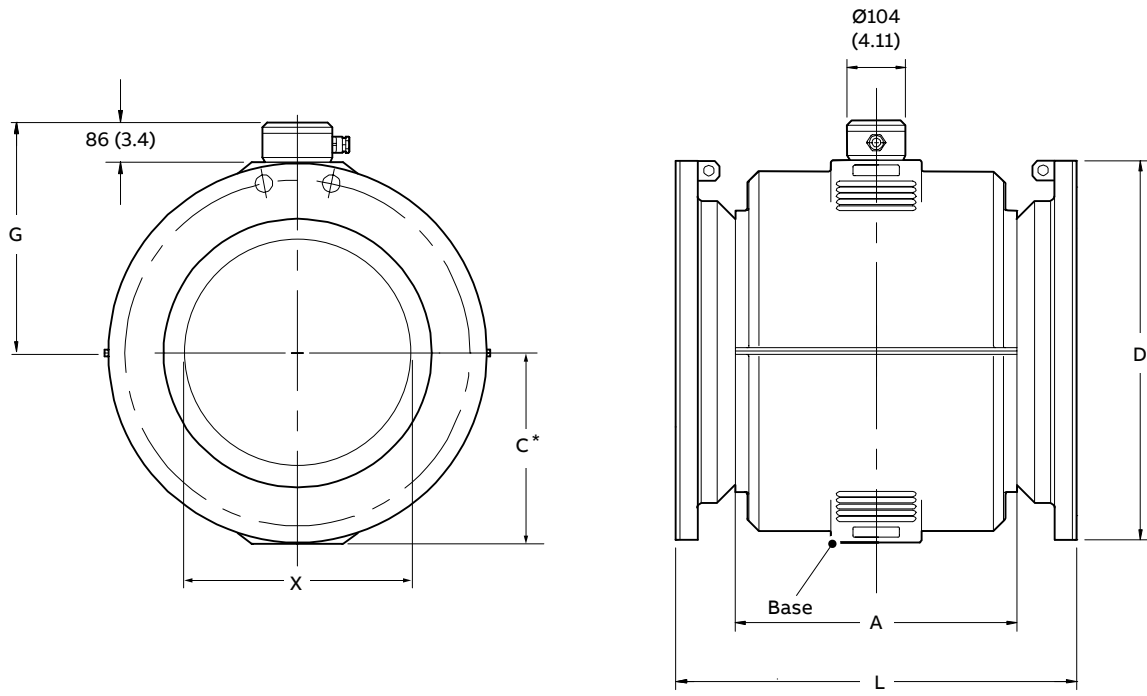


**DN350 to 600 (14 to 24 in. NB) (FER) remote sensor**

DN	Process connection type	Dimensions in mm (in.)								Approx. weight in kg (lb)								
		D	L	F	C	E	G	A	X	Remote								
DN350 (14 in.)	EN1092-1 PN10	505 (19.88)																
	EN1092-1 PN16	520 (20.47)																
	EN1092-1 PN25	555 (21.85)																
	EN1092-1 PN40	580 (22.83)																
	JIS 5K	480 (18.90)	550 (21.65)	472 (18.58)	231 (9.09)	402 (15.83)	325 (12.80)	376 (14.80)	293 (11.53)	100 (220)								
	JIS 10K	490 (19.29)																
	AS2129 TABLE C D E	525 (20.67)																
	AS2129 TABLE F	550 (21.65)																
	AS4087 PN14, PN16	525 (20.67)																
	AS4087 PN21	550 (21.65)																
EN1092-1 PN10	565 (22.24)																	
EN1092-1 PN16	580 (22.83)																	
EN1092-1 PN25	620 (24.41)																	
EN1092-1 PN40	660 (25.98)																	
DN400 (16 in.)	JIS 5K	540 (21.26)	600 (23.62)	502 (19.76)	257.5 (10.14)	432 (17.01)	355 (13.98)	420 (16.54)	343 (13.50)	115 (253)								
	JIS 10K	560 (22.05)																
	AS2129 TABLE C D E	580 (22.83)																
	AS2129 TABLE F	610 (24.02)																
	AS4087 PN14, PN16	580 (22.83)																
	AS4087 PN21	610 (24.02)																
	EN1092-1 PN10	615 (24.21)																
	EN1092-1 PN16	640 (25.20)																
	EN1092-1 PN25	670 (26.38)																
	EN1092-1 PN40	685 (26.97)																
DN450 (18 in.)	JIS 5K	605 (23.82)	700 (27.56)	537 (21.14)	285 (11.22)	467 (18.39)	390 (15.35)	480 (18.90)	394 (15.52)	160 (352)								
	JIS 10K	620 (24.41)																
	AS2129 TABLE C D E	640 (25.20)																
	AS2129 TABLE F	675 (26.57)																
	AS4087 PN14, PN16	640 (25.20)																
	AS4087 PN21	675 (26.57)																
	EN1092-1 PN10	670 (26.38)																
	EN1092-1 PN16	715 (28.15)																
	EN1092-1 PN25	730 (28.74)																
	EN1092-1 PN40	755 (29.72)																
DN500 (20 in.)	JIS 5K	655 (25.79)	770 (30.31)	557 (21.93)	317.5 (12.50)	487 (19.17)	410 (16.14)	520 (20.47)	443 (17.44)	217 (477)								
	JIS 10K	675 (26.57)																
	AS2129 TABLE C D E	705 (27.76)																
	AS2129 TABLE F	735 (28.94)																
	AS4087 PN14, PN16	705 (27.76)																
	AS4087 PN21	735 (28.94)																
	EN1092-1 PN10	670 (26.38)																
	EN1092-1 PN16	715 (28.15)																
	EN1092-1 PN25	730 (28.74)																
	EN1092-1 PN40	755 (29.72)																
DN600 (24 in.)	JIS 5K	770 (30.31)	920 (36.22)	602 (23.70)	345 (13.58)	532 (20.94)	455 (17.91)	610 (24.02)	494 (19.45)	315 (693)								
	JIS 10K	795 (31.30)																
	AS2129 TABLE C D E	825 (32.48)																
	AS2129 TABLE F	850 (33.46)																
	AS4087 PN14, PN16	825 (32.48)																
	AS4087 PN21	850 (33.46)																
	EN1092-1 PN10	780 (30.71)																
	EN1092-1 PN16	840 (33.07)																
	EN1092-1 PN25	845 (33.27)																
	EN1092-1 PN40	890 (35.04)																

DN350 to 600 (14 to 24 in. NB) (FER) remote sensor dimensions / weights

**... Sensor dimensions**  
**FEF – DN250 to 600 (10 to 24 in. NB)**



\*Dimension C = centre line to base of flowmeter body

DN250 to 600 (10 to 24 in. NB) (FEF)

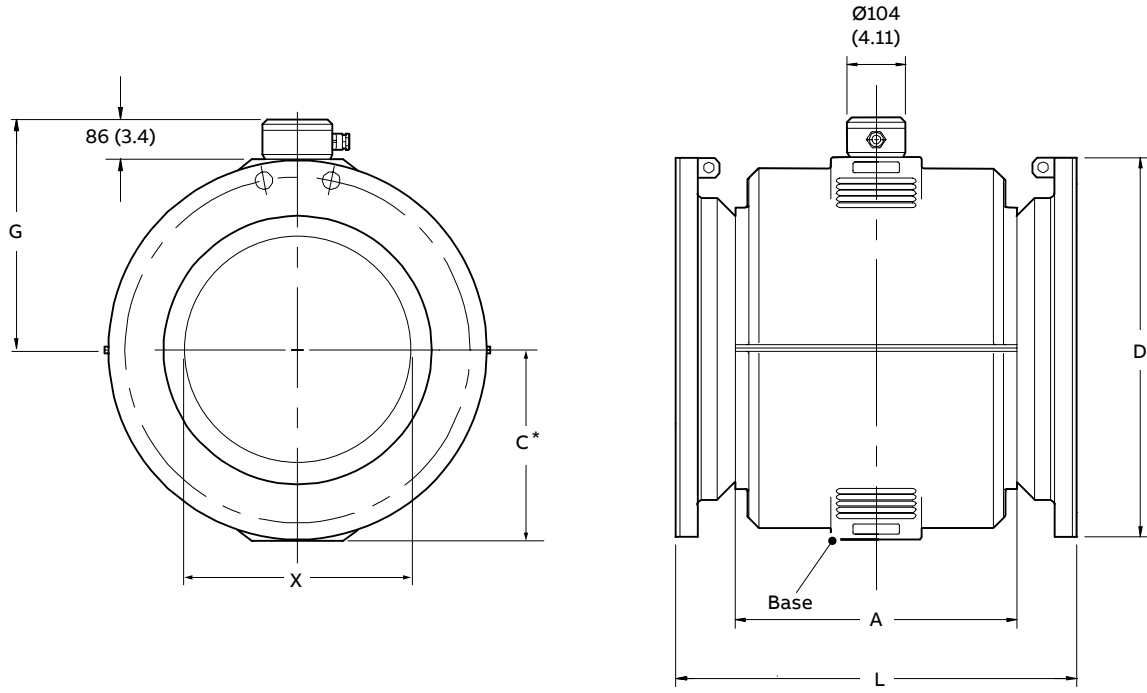


DN	Process connection type	Dimensions in mm (in.)						Approx. weight in kg (lb)
		D	L	C	G	A	X	
DN250 (10 in.)	ASME B16.5 CLASS 150	405 (15.94)	450 (17.72)					
	ASME B16.5 CLASS 300	445 (17.52)	490 (19.29)					
	EN1092 -1 PN10	395 (15.55)	450 (17.72)					
	EN1092 -1 PN16	405 (15.94)						
	EN1092 -1 PN25	425 (16.73)						
	EN1092 -1 PN40	450 (17.72)	490 (19.29)					
	JIS 5K	385 (15.16)		215 (8.46)	301 (11.85)	300 (11.81)	250 (9.84)	88 (194)
	JIS 10K	400 (15.75)						
	AS4087 PN14, PN16							
	AS2129 TABLE C D	405 (15.94)	450 (17.72)					
	AS2129 TABLE E							
	AS4087 PN21							
AS2129 TABLE F	430 (16.93)							
DN300 (12 in.)	ASME B16.5 CLASS 150	485 (19.09)	500 (19.69)					
	ASME B16.5 CLASS 300	520 (20.47)	540 (21.26)					
	EN1092 -1 PN10	445 (17.52)	500 (19.69)					
	EN1092 -1 PN16	460 (18.11)	500 (19.69)					
	EN1092 -1 PN25	485 (19.09)	540 (21.26)					
	EN1092 -1 PN40	515 (20.28)	540 (21.26)					
	JIS 5K	430 (16.93)	500 (19.69)	231 (9.09)	317 (12.48)	352 (13.86)	300 (11.81)	128 (282)
	JIS 10K	445 (17.52)	500 (19.69)					
	AS4087 PN14, PN16	455 (17.91)	500 (19.69)					
	AS2129 TABLE TABLE C D	455 (17.91)	500 (19.69)					
	AS2129 TABLE E	455 (17.91)	500 (19.69)					
	AS4087 PN21	490 (19.29)	500 (19.69)					
AS2129 TABLE F	490 (19.29)	500 (19.69)						
DN350 (14 in.)	ASME B16.5 CLASS 150	535 (21.06)	550 (21.65)					
	ASME B16.5 CLASS 300	585 (23.03)	570 (22.44)					
	EN1092 -1 PN10	505 (19.88)	550 (21.65)					
	EN1092 -1 PN16	520 (20.47)	550 (21.65)					
	EN1092 -1 PN25	555 (21.85)	570 (22.44)					
	EN1092 -1 PN40	580 (22.83)	570 (22.44)					
	JIS 5K	480 (18.90)	550 (21.65)	257.5 (10.14)	346 (13.62)	376 (14.80)	350 (13.78)	100 (220)
	JIS 7.5K	530 (20.87)	550 (21.65)					
	JIS 10K	490 (19.29)	550 (21.65)					
	AS4087 PN14, PN16	525 (20.67)	550 (21.65)					
	AS2129 TABLE C D E	525 (20.67)	550 (21.65)					
	AS4087 PN21	550 (21.65)	550 (21.65)					
AS2129 TABLE F	550 (21.65)	550 (21.65)						
AS4087 PN35	550 (21.65)	570 (22.44)						
AS2129 TABLE H	550 (21.65)	570 (22.44)						
DN375 (15 in.)	AS4087 PN14, PN16	550 (21.65)	550 (21.65)					
	AS2129 TABLE C	550 (21.65)	550 (21.65)	257.5 (10.14)	346 (13.62)	376 (14.80)	350 (13.78)	115 (253)
	AS4087 PN35	580 (22.83)	570 (22.44)					
DN400 (16 in.)	ASME B16.5 CLASS 150	600 (23.62)	600 (23.62)					
	ASME B16.5 CLASS 300	650 (25.59)	620 (24.41)					
	EN1092 -1 PN10	565 (22.24)	600 (23.62)					
	EN1092 -1 PN16	580 (22.83)	600 (23.62)					
	EN1092 -1 PN25	620 (24.41)	620 (24.41)					
	EN1092 -1 PN40	660 (25.98)	620 (24.41)					
	JIS 5K	540 (21.26)	600 (23.62)	285 (11.22)	371 (14.61)	420 (16.54)	400 (15.75)	115 (253)
	JIS 7.5K	582 (22.91)	600 (23.62)					
	JIS 10K	560 (22.05)	600 (23.62)					
	AS4087 PN14, PN16	580 (22.83)	600 (23.62)					
	AS2129 TABLE C D E	580 (22.83)	600 (23.62)					
	AS4087 PN21	610 (24.02)	600 (23.62)					
AS2129 TABLE F	610 (24.02)	600 (23.62)						
AS4087 PN35	610 (24.02)	620 (24.41)						
AS2129 TABLE H	610 (24.02)	620 (24.41)						

DN250 to 400 (10 to 16 in. NB) (FEF) dimensions / weights

**... Sensor dimensions**

...FEF – DN250 to 600 (10 to 24 in. NB)



\*Dimension C = centre line to base of flowmeter body

DN250 to 600 (10 to 24 in. NB) (FEF)

DN	Process connection type	Dimensions in mm (in.)						Approx. weight in kg (lb)
		D	L	C	G	A	X	
DN450 (18 in.)	ASME B16.5 CLASS 150	635 (25.00)						
	ASME B16.5 CLASS 300	710 (27.95)						
	EN1092 – 1 PN10	615 (24.21)						
	EN1092 – 1 PN16	640 (25.20)						
	EN1092 – 1 PN25	670 (26.38)						
	EN1092 – 1 PN40	685 (26.97)						
	JIS 5K	605 (23.82)						
	JIS 7.5K	652 (25.67)	700 (27.56)	317.5 (12.50)	402 (15.83)	480 (18.90)	450 (17.72)	160 (352)
	JIS 10K	620 (24.41)						
	AS4087 PN14, PN16	640 (25.20)						
	AS2129 TABLE C D	640 (25.20)						
	AS2129 TABLE E	640 (25.20)						
	AS4087 PN21	675 (26.57)						
	AS2129 TABLE F	675 (26.57)						
	AS4087 PN35	675 (26.57)						
	AS2129 TABLE H	675 (26.57)						
DN500 (20 in.)	ASME B16.5 CLASS 150	700 (27.56)						
	ASME B16.5 CLASS 300	775 (30.51)						
	EN1092 – 1 PN10	670 (26.38)						
	EN1092 – 1 PN16	715 (28.15)						
	EN1092 – 1 PN25	730 (28.74)						
	EN1092 – 1 PN40	755 (29.72)						
	JIS 5K	655 (25.79)						
	JIS 7.5K	706 (27.80)	770 (30.31)	345 (13.58)	429 (16.89)	520 (20.47)	500 (19.69)	217 (455)
	JIS 10K	675 (26.57)						
	AS4087 PN 14, PN16	705 (27.76)						
	AS2129 TABLE C D E	705 (27.76)						
	AS4087 PN21	735 (28.94)						
	AS2129 TABLE F	735 (28.94)						
	AS4087 PN35	735 (28.94)						
	AS2129 TABLE H	735 (28.94)						
	DN600 (24 in.)	ASME B16.5 CLASS 150	815 (32.09)					
ASME B16.5 CLASS 300		915 (36.02)						
EN1092 – 1 PN10		780 (30.71)						
EN1092 – 1 PN16		840 (33.07)						
EN1092 – 1 PN25		845 (33.27)						
EN1092 – 1 PN40		890 (35.04)						
JIS 5K		770 (30.31)						
JIS 7.5K		810 (31.89)	920 (36.22)	387.5 (15.25)	472 (18.58)	610 (24.02)	600 (23.62)	315 (693)
JIS 10K		795 (31.30)						
AS4087 PN14, PN16		825 (32.48)						
AS2129 TABLE C D		825 (32.48)						
AS2129 TABLE E		825 (32.48)						
AS4087 PN21		850 (33.46)						
AS2129 TABLE F		850 (33.46)						
AS4087 PN35		850 (33.46)						
AS2129 TABLE H		850 (33.46)						

DN450 to 600 (18 to 24 in. NB) (FEF) dimensions / weights

# Ordering information

## Electromagnetic flowmeter WaterMaster – FEW11, FEW12 and FEW18

Product coding field number	1 ... 5	6	7 ... 9	10	11	12	13	14, 15	16	17	18	19	20	21	22	23	24	25	26	27	Options
<b>Flowmeter system – full bore, integral mount (DN10 to DN32 only)</b>	FEW11																				
<b>Flowmeter system – full bore, remote mount</b>	FEW12																				X
<b>Full bore sensor only – for use with WaterMaster transmitter / remote</b>	FEW18																				X
<b>Design</b>																					
Non-hazardous areas																					1
Hazardous areas																					5
<b>Bore diameter</b>																					
DN10 (3/8 in.)																					010
DN15 (1/2 in.)																					015
DN20 (3/4 in.)																					020
DN25 (1 in.)																					025
DN32 (1 1/4 in.)																					032
<b>Liner material</b>																					
PTFE – DN10 to 32 (3/8 to 1 1/4 in. NB)																					A
<b>Electrode design</b>																					
Standard																					1
Other																					9
<b>Measuring electrodes material</b>																					
Hastelloy® C-4 (2.4610)																					D
<b>Grounding accessories</b>																					
Not required																					0
One potential equalizing ring (stainless steel)																					3
Two potential equalizing rings (stainless steel)																					4
Other																					9
<b>Process connection type (refer to pages 22 and 23)</b>																					
ASME B16.5 B class 150																					A1
ASME B16.5 B class 300																					A3
ISO / EN PN40																					S4
DIN PN40																					D4
Other																					Z9
<b>Process connection material</b>																					
Carbon steel flanges – DN20 to 32 (3/4 to 1 1/4 in. NB)																					B
Stainless steel flange 1.4571 (316 Ti) – DN10 to 15 (3/8 to 1/2 in. NB)																					D
Other																					Z
<b>Usage certifications</b>																					
Standard (without PED)																					1
Other																					9
<b>Calibration type</b>																					
Class 2 calibration – standard accuracy 0.4 %																					A
Class 1 calibration – high accuracy 0.2 %																					B
Extended range, class 1 calibration – high accuracy 0.2 %																					N
Extended range, class 2 calibration – standard accuracy 0.4 %																					P
<b>Temperature range installation / ambient temperature range</b>																					
Standard design / –20 to 60 °C (–4 to 140 °F)																					1
<b>Nameplate</b>																					
Adhesive																					A
<b>Signal cable length and type</b>																					
Without signal cable																					0
5 m (15 ft.) cable																					1
10 m (30 ft.) cable																					2
20 m (60 ft.) cable																					3
30 m (100 ft.) cable																					4
50 m (165 ft.) cable																					5
80 m (260 ft.) cable																					6
100 m (325 ft.) cable																					7
150 m (490 ft.) cable																					8
Special length or cable type																					9
<b>Explosion protection certification</b>																					
General purpose (non-Ex design)																					A
FM Class 1 Div. 2																					G
usFMc Class 1 Div. 2																					P
ATEX / IECEx Zone 2, 21 & 22																					M

Continued on next page...

Product coding field number		1	...	5	6	7	...	9	10	11	12	13	14, 15	16	17	18	19	20	21	22	23	24	25	26	27	Options	
<b>Flowmeter system – full bore, integral mount (DN10 to DN32 only)</b>		FEW11																									
<b>Flowmeter system – full bore, remote mount</b>		X			XXX	X			X	X	X	X	XX	X	X	X	X	X	X	X	X	X	X	X	X	X	
<b>Full bore sensor only – for use with WaterMaster transmitter / remote</b>		FEW18																									
<b>Protection class transmitter / protection class sensor</b>																											
IP67 (NEMA 4X) / IP67 (NEMA 4X) – cable not fitted and potted to sensor																										1	
IP67 (NEMA 4X) / IP67 (NEMA 4X) – cable fitted and potted to sensor																										7	
<b>Cable conduits*</b>																											
M20 x 1.5 (plastic)																										A	
NPT ½ in. (blanked when cable not fitted)																										B	
M20 SWA (armored)																										D	
M20 SWA sensor, M20 x 1.5 (plastic) power / output																										F	
Without																										Y	
<b>Power supply</b>																											
Without																										0	
100 to 230 V AC, 50 Hz																										1	
24 V AC or 24 V DC, 50 Hz																										2	
100 to 230 V AC, 60 Hz																										3	
24 V AC or 24 V DC, 60 Hz																										4	
<b>Input and output signal type</b>																											
HART + 20 mA + pulse + contact output																										A	
PROFIBUS DP RS485 physical layer + pulse + contact output (general-purpose design only)																										G	
MODBUS RTU RS485 physical layer + pulse + contact output (general-purpose design only)																										M	
Without																										Y	
<b>Configuration type / diagnostics type</b>																											
Not required																										0	
Factory default/ standard																										1	
<b>Options**</b>																											
<b>Accessories</b>																											
Configuration lead																										AC	
<b>Documentation language</b>																											
German	M1	Chinese																							M6		
Italian	M2	Swedish																							M7		
Spanish	M3	Finnish																							M8		
French	M4	Portuguese																							MA		
English	M5 (default)	Danish																							MF		
		Norwegian																							MN		
<b>Verification type</b>																											
Without fingerprint																										V0	
VeriMaster																										V3	
<b>Potable water approval</b>																											
WRAS cold water approval																										CWA	
Without																										CWY	
<b>Power supply frequency (FEW 18 only)</b>																											
50 Hz																										F5	
60 Hz																										F6	
<b>Number of testpoints (FEW 10 to 32 only)</b>																											
1 Point																										T1	
3 Points																										T3	

\* For FM or FMC Approved versions, NPT only permitted.

\*\* Add codes for options.

## ...Ordering information

### Electromagnetic flowmeter WaterMaster – FEV11, FEV12 and FEV18

Product coding field number	1	...	5	6	7 ... 9	10	11	12	13	14, 15	16	17	18	19	20	21	22	23	24	25	26	27	Options		
<b>Flowmeter system, optimized full bore, integral mount</b>	FEV11																								
<b>Flowmeter system, optimized full bore, remote mount</b>	FEV12			X	XXX	X	X	X	X	XX	X	X	X	X	X	X	X	X	X	X	X	X	X		
<b>Optimized full bore sensor only, for use with WaterMaster transmitter / remote</b>	FEV18																								
<b>Design</b>																									
Non-hazardous areas				1																					
Hazardous areas				5																					
<b>Bore diameter</b>																									
DN40 (1½ in.)				040																					
DN50 (2 in.)				050																					
DN65 (2½ in.)				065																					
DN80 (3 in.)				080																					
DN100 (4 in.)				100																					
DN125 (5 in.)				125																					
DN150 (6 in.)				150																					
DN200 (8 in.)				200																					
<b>Liner material</b>																									
Polypropylene – DN40 to 200 (1½ to 8 in. NB)				V																					
<b>Electrode design</b>																									
Standard				1																					
<b>Measuring electrodes material</b>																									
Stainless steel 316																								S	
Hastelloy® C-22																									C
Super-austenitic steel																									U
<b>Grounding accessories</b>																									
Standard																									1
One potential equalizing ring (stainless steel)																									3
Two potential equalizing rings (stainless steel)																									4
<b>Process connection type (refer to pages 30 and 31)</b>																									
Flanges ASME B16.5 class 150																									A1
Flanges AS 4087 PN21 (≥ DN50 [2 in. NB])																									E0
Flanges AS 4087 PN16 (≥ DN50 [2 in. NB])																									E1
Flanges AS 4087 PN14																									E2
Flanges AS 2129 Table F																									E3
Flanges AS 2129 Table E																									E4
Flanges AS 2129 Table D																									E5
Flanges AS 2129 Table C																									E6
Flanges JIS G5527 7.5K (≥ DN100 [4 in. NB])																									J0
Flanges JIS B2220 10K																									J1
ISO/EN PN10																									S1
ISO / EN PN16 (≥ DN50 [2 in. NB])																									S2
ISO / EN PN40 (DN40 [1½ in. NB] only) 16 bar rated																									S4
<b>Process connection material</b>																									
Carbon steel flanges																									B
<b>Usage certifications</b>																									
Standard																									1
<b>Calibration type</b>																									
Class 2 Calibration – standard accuracy 0.4 %																									A
Class 1 Calibration – high accuracy 0.2 %																									B
Extended range, class 1 calibration – high accuracy 0.2 %																									N
Extended range, class 2 calibration – standard accuracy 0.4 %																									P

Continued on next page...

Product coding field number	1	...	5	6	7	...	9	10	11	12	13	14, 15	16	17	18	19	20	21	22	23	24	25	26	27	Options	
<b>Flowmeter system, optimized full bore, integral mount</b>	FEV11																									
<b>Flowmeter system, optimized full bore, remote mount</b>	FEV12	X	XXX	X	X	X	X	X	X	XX	X	X	X	X	X	X	X	X	X	X	X	X	X	X		
<b>Optimized full bore sensor only, for use with WaterMaster transmitter / remote</b>	FEV18																									
<b>Temperature range installation / ambient temperature range</b>																										
Standard design / -20 to 60 °C (-4 to 140 °F)																										
<b>Nameplate</b>																										
Adhesive																										
<b>Signal cable length and type*</b>																										
Without signal cable																										
5 m (15 ft.) cable																										
10 m (30 ft.) cable																										
20 m (60 ft.) cable																										
30 m (100 ft.) cable																										
50 m (165 ft.) cable																										
80 m (260 ft.) cable																										
100 m (325 ft.) cable																										
150 m (490 ft.) cable																										
Special length > 150 m (> 490 ft.)																										
<b>Explosion protection certification</b>																										
General purpose (non-Ex design)																										
FM Class 1 Div. 2																										
usFMc Class 1 Div. 2																										
ATEX / IECEx Zone 2, 21 & 22																										
<b>Protection class transmitter / protection class sensor</b>																										
IP67 (NEMA 4X) / IP67 (NEMA 4X) – integral																										
IP67 (NEMA 4X) / IP68 (NEMA 6P) – cable not fitted and not potted																										
IP67 (NEMA 4X) / IP68 (NEMA 6P) – cable fitted and potted																										
<b>Cable conduits *</b>																										
M20 x 1.5 (plastic)																										
NPT ½ in. (blanked when cable not fitted)																										
M20 SWA (armored)																										
M20 SWA sensor, M20 x 1.5 (plastic) power / output																										
Without																										
<b>Power supply</b>																										
Without																										
100 to 230 V AC, 50 Hz																										
24 V AC or 24 V DC, 50 Hz																										
100 to 230 V AC, 60 Hz																										
24 V AC or 24 V DC, 60 Hz																										
Others																										
<b>Input and output signal type</b>																										
HART + 20 mA + pulse + contact output																										
PROFIBUS DP RS485 physical layer + pulse + contact output																										
MODBUS RTU RS485 physical layer + pulse + contact output																										
Without																										
<b>Configuration type / diagnostics type</b>																										
Without																										
Factory defaults / standard diagnostics																										

Continued on next page...

\* The type of signal cable supplied (standard or armored) depends on the type of cable conduit (variant digit number 24) ordered. For FM or FMC Approved versions, NPT only permitted.

## ...Ordering information

### ...Electromagnetic flowmeter WaterMaster – FEV11, FEV12 and FEV18

Product coding field number		1	...	5	6	7	...	9	10	11	12	13	14, 15	16	17	18	19	20	21	22	23	24	25	26	27	Options	
Flowmeter system, optimized full bore, integral mount		FEV11																									
Flowmeter system, optimized full bore, remote mount		FEV12	X	XXX	X	X	X	X	X	X	XX	X	X	X	X	X	X	X	X	X	X	X	X	X	X		
Optimized full bore sensor only, for use with WaterMaster transmitter / remote		FEV18																									

**Options\*\***

**Accessories**

Configuration lead AC

**Documentation language**

German	M1	Chinese	M6
Italian	M2	Swedish	M7
Spanish	M3	Finnish	M8
French	M4	Portuguese	MA
English	M5 (default)	Danish	MF
		Norwegian	MN

**Other usage certifications**

Measuring Instruments Directive (MID) CM1  
 OIML R49 Calibration CM2

**Verification type**

Without fingerprint V0  
 VeriMaster V3  
 Potable water approval  
 WRAS cold water approval CWA  
 NSF 61 meter approval CWC  
 DVGW CWD  
 ACS CWF  
 Without CWY

**Power supply frequency (sensor FEV18 only)**

50 Hz F5  
 60 Hz F6

**Number of testpoints**

1 Point T1  
 3 Points T3

\*\*Add codes for options.



**Electromagnetic flowmeter WaterMaster FEF12 and FEF18**

Product coding field number		1	...	5	6	7	...	9	10	11	12	13	14, 15	16	17	18	19	20	21	22	23	24	25	26	27	Options	
Flowmeter system, full bore, remote mount		FEF12																									
Full bore sensor only, for use with WaterMaster transmitter / remote		FEF18		X	XXX	X	X	X	X	X	X	XX	X	X	X	X	X	X	X	X	X	X	X	X	X		
<b>Design</b>																											
Non-hazardous areas				1																							
Hazardous areas (DN≥700 [27 in. NB])				5																							
<b>Bore diameter</b>																											
DN250 (10 in.)					250																						
DN300 (12 in.)					300																						
DN350 (14 in.)					350																						
DN375 (15 in.)					375																						
DN400 (16 in.)					400																						
DN450 (18 in.)					450																						
DN500 (20 in.)					500																						
DN600 (24 in.)					600																						
Others					999																						
<b>Liner material</b>																											
Elastomer – DN250 to 600 (10 to 24 in. NB)									K																		
Hard rubber – DN250 to 600 (10 to 24 in. NB)									H																		
Other									Z																		
<b>Electrode design</b>																											
Standard										1																	
Others										9																	
<b>Measuring electrodes material</b>																											
Stainless steel 316											S																
Hastelloy® C-22											C																
Super-austenitic steel (DN250 to 600 [10 to 24 in. NB])											U																
Others											Z																
<b>Grounding accessories</b>																											
Standard																											
One potential equalizing ring (stainless steel)																											
Two potential equalizing rings (stainless steel)																											
Others																											
<b>Process connection type (refer to pages 36 to 37)</b>																											
Flanges ASME B16.5 class 150																											
Flanges ASME B16.5 class 300																											
Flanges AWWA C207 class B																											
Flanges AWWA C207 class D																											
Flanges AS 4087 PN21																											
Flanges AS 4087 PN16																											
Flanges AS 4087 PN14																											
Flanges AS 2129 Table F																											
Flanges AS 2129 Table E																											
Flanges AS 2129 Table D																											
Flanges AS 2129 Table C																											
Flanges AS 2129 Table H																											
Flanges AS 4087 PN35																											
Flanges JIS G5527 7.5K																											
Flanges JIS B2220 10K																											
Flanges JIS B2220 5K																											
Flanges ISO / EN PN6																											
Flanges ISO / EN PN10																											
Flanges ISO / EN PN16																											
Flanges ISO / EN PN25																											
Flanges ISO / EN PN40																											
Others																											
<b>Note.</b> DN80 to 200 (3 to 10 in. NB) available only with PN16																											
<b>Process connection material</b>																											
Carbon steel flanges																											
Others																											
<b>Usage certifications</b>																											
Standard																											
<b>Calibration type</b>																											
Class 2 calibration – standard accuracy 0.4 %																											
Class 1 calibration – high accuracy 0.2 %																											
Extended range, class 1 calibration – high accuracy 0.2 %																											
Extended range, class 2 calibration – standard accuracy 0.4 %																											

Continued on next page ...

## ...Ordering information

### ... Electromagnetic flowmeter WaterMaster FEF12 and FEF18

Product coding field number		1	...	5	6	7	...	9	10	11	12	13	14, 15	16	17	18	19	20	21	22	23	24	25	26	27	Options	
<b>Flowmeter system, full bore, remote mount</b>		FEF12																									
<b>Full bore sensor only, for use with WaterMaster transmitter / remote</b>		FEF18		X	XXX	X	X	X	X	X	X	XX	X	X	X	X	X	X	X	X	X	X	X	X	X		
<b>Temperature range installation / ambient temperature range</b>																											
Standard design / -20 to 60 °C (-4 to 140 °F)																											
<b>Nameplate</b>																											
Adhesive																											
<b>Signal cable length and type*</b>																											
Without signal cable																											
5 m (15 ft.) cable																											
10 m (30 ft.) cable																											
20 m (60 ft.) cable																											
30 m (100 ft.) cable																											
50 m (165 ft.) cable																											
80 m (260 ft.) cable																											
100 m (325 ft.) cable																											
150 m (490 ft.) cable																											
Special Length > 150 m (> 490 ft.) (and / or armored cable)																											
<b>Explosion protection certification</b>																											
General purpose (non-Ex design)																											
<b>Protection class transmitter / protection class sensor</b>																											
IP67 (NEMA 4X) / IP68 (NEMA 6P) – cable not fitted and not potted																											
IP67 (NEMA 4X) / IP68 (NEMA 6P) – cable fitted and potted																											
<b>Cable conduits**</b>																											
M20 x 1.5 (plastic)																											
NPT ½ in. (blanked when cable not fitted)																											
M20 SWA (armored)																											
M20 SWA sensor, M20 x 1.5 (plastic) power / output																											
Without																											
<b>Power supply</b>																											
Without																											
100 to 230 V AC (50 Hz)																											
24 V AC or 24 V DC (50 Hz)																											
100 to 230 V AC (60 Hz)																											
24 V AC or 24 V DC (60 Hz)																											
<b>Input and output signal type</b>																											
HART + 20 mA + pulse + contact output																											
PROFIBUS DP RS485 physical layer + pulse + contact output																											
MODBUS RTU RS485 physical layer + pulse + contact output																											
Without																											
<b>Configuration type / diagnostics type</b>																											
Without																											
Factory defaults / standard diagnostics																											
<b>Options**</b>																											
Accessories																											
Configuration lead																											
Documentation language																											
German M1																											
Italian M2																											
Spanish M3																											
French M4																											
English M5 (default)																											
Chinese M6																											
Swedish M7																											
Finnish M8																											
Portuguese MA																											
Danish MF																											
Norwegian MN																											
<b>Verification type</b>																											
Without																											
fingerprint																											
VeriMaster																											
<b>Potable water approvals</b>																											
WRAS cold water approval																											
NSF 61 meter approval																											
DVGW																											
ACS																											
WRAS 60 °C (140 °F) water approval																											
Without																											
<b>Power supply frequency (sensor FEF 18 only)</b>																											
50 Hz																											
60 Hz																											
<b>Number of testpoints</b>																											
1 Point																											
3 Points																											

\*The type of signal cable supplied (standard or armored) depends on the type of cable conduit (variant digit number 24) ordered – for FM or FMC Approved versions, NPT only permitted.

\*\*Add codes for options.

**Electromagnetic flowmeter WaterMaster – FEW31, FEW32 and FEW38**

Product coding field number		1	...	5	6	7	...	9	10	11	12	13	14, 15	16	17	18	19	20	21	22	23	24	25	26	27	Options		
<b>Flowmeter system – full bore, integral mount</b>		<b>FEW31</b>																										
<b>Flowmeter system – full bore, remote mount</b>		<b>FEW32</b>				X	XXX		X	X	X	X		XX	X	X	X	X	X	X	X	X	X	X	X	X		
<b>Full bore sensor only – for use with WaterMaster transmitter / remote</b>		<b>FEW38</b>																										
<b>Design</b>																												
Non-hazardous areas						1																						
Hazardous areas						5																						
<b>Bore diameter</b>																												
DN10 (3/8 in.)								010																				
DN15 (1/2 in.)								015																				
DN20 (3/4 in.)								020																				
DN25 (1 in.)								025																				
DN32 (1 1/4 in.)								032																				
DN40 (1 1/2 in.)								040																				
DN50 (2 in.)								050																				
DN65 (2 1/2 in.)								065																				
DN80 (3 in.)								080																				
DN100 (4 in.)								100																				
DN125 (5 in.)								125																				
DN150 (6 in.)								150																				
DN200 (8 in.)								200																				
DN250 (10 in.)								250																				
DN300 (12 in.)								300																				
DN350 (14 in.)								350																				
DN400 (16 in.)								400																				
DN450 (18 in.)								450																				
DN500 (20 in.)								500																				
DN600 (24 in.)								600																				
DN700 (28 in.)								700																				
DN750 (30 in.)								750																				
DN800 (32 in.)								800																				
DN900 (36 in.)								900																				
DN1000 (40 in.)								001																				
DN1050 (42 in.)								051																				
DN1100 (44 in.)								101																				
DN1200 (48 in.)								201																				
DN1350 (54 in.)								351																				
DN1400 (56 in.)								401																				
DN1500 (60 in.)								501																				
DN1600 (64 in.)								601																				
DN1650 (66 in.)								651																				
DN1800 (72 in.)								801																				
DN1950 (78 in.)								951																				
DN2000 (80 in.)								002																				
DN2100 (84 in.)								102																				
DN2200 (88 in.)								202																				
DN2400 (96 in.)								402																				
Others								999																				
<b>Liner material</b>																												
PTFE – DN10 to 600 (3/8 to 24 in. NB)										A																		
Hard rubber – DN40 to 2400 (1 1/2 to 96 in. NB)										H																		
Elastomer – DN40 to 2400 (1 1/2 to 96 in. NB)										K																		
<b>Electrode design</b>																												
Standard											1																	
Other											9																	
<b>Measuring electrodes material</b>																												
Hastelloy® C-4 (2.4610)																											D	
Stainless steel 316Ti/316L																											S	
Hastelloy C-22																											C	
<b>Grounding accessories</b>																												
Not required																											0	
Standard																											1	
One potential equalizing ring (stainless steel)																											3	
Two potential equalizing rings (stainless steel)																											4	

Continued on next page...

## ...Ordering information

### ... Electromagnetic flowmeter WaterMaster – FEW31, FEW32 and FEW38

Product coding field number	1	...	5	6	7	...	9	10	11	12	13	14, 15	16	17	18	19	20	21	22	23	24	25	26	27	Options		
<b>Flowmeter system – full bore, integral mount</b>	FEW31																										
<b>Flowmeter system – full bore, remote mount</b>	FEW32																										
<b>Full bore sensor only – for use with WaterMaster transmitter / remote</b>	FEW38																										
<b>Process connection type (refer to pages 23 to 24)</b>																											
Flanges ASME B16.47 series B / B16.5 Class 150													A1														
Flanges ASME B16.47 series B / B16.5 Class 300													A3														
Flanges ASME B16.47 series A Class 150													B1														
Flanges ASME B16.47 series A Class 300													B3														
Flanges AWWA C207 Class B													C1														
Flanges AWWA C207 Class D													C2														
Flanges AWWA C207 Class E													C3														
Flanges AWWA C207 Class F													C4														
Flanges JIS 10K													J1														
Flanges JIS 5K													J2														
Flanges AS 4087 PN 16													E1														
Flanges AS 2129 Table E													E4														
Flanges AS 2129 Table D													E5														
Flanges AS 4087 PN 35													E8														
ISO 7005, DIN, EN 1092-1 PN6													S0														
ISO 7005, DIN, EN 1092-1 PN10													S1														
ISO 7005, DIN, EN 1092-1 PN16													S2														
ISO 7005, DIN, EN 1092-1 PN25													S3														
ISO 7005, DIN, EN 1092-1 PN40													S4														
<b>Process connection material</b>																											
Carbon steel flanges													B														
Stainless steel flange													D														
<b>Usage certifications</b>																											
Standard (without PED)													1														
<b>Calibration type</b>																											
Class 2 calibration – standard accuracy 0.4 %													A														
Class 1 calibration – high accuracy 0.2 %													B														
<b>Temperature range installation / ambient temperature range</b>																											
Standard design/ –20 to 60 °C (–4 to 140 °F)													1														
<b>Nameplate</b>																											
Adhesive													A														
<b>Signal cable length and type</b>																											
Without signal cable													0														
5 m (15 ft.) cable													1														
10 m (30 ft.) cable													2														
20 m (60 ft.) cable													3														
30 m (100 ft.) cable													4														
50 m (165 ft.) cable													5														
80 m (260 ft.) cable													6														
100 m (325 ft.) cable													7														
150 m (490 ft.) cable													8														
Special length or cable type													9														
<b>Explosion protection certification*</b>																											
General purpose (non-Ex design)													A														
FM Class 1 Div. 2													G														
usFMc Class 1 Div. 2													P														
ATEX / IECEx Zone 2, 21 & 22													M														

Continued on next page...

Product coding field number	1	2	3	4	5	6	7	8	9	10	11	12	13	14	15	16	17	18	19	20	21	22	23	24	25	26	27	Options
<b>Flowmeter system – full bore, integral mount</b>	FEW31																											
<b>Flowmeter system – full bore, remote mount</b>	FEW32																											
<b>Full bore sensor only – for use with WaterMaster transmitter / remote</b>	FEW38																											
<b>Protection class transmitter / protection class sensor</b>																												
IP67 (NEMA 4X) / IP67 (NEMA 4X) – cable not fitted and not potted to sensor																							1					
IP 67 (NEMA 4x) / IP68 (NEMA 6P) – cable not fitted and not potted to sensor																							2					
IP 67 (NEMA 4x) / IP68 (NEMA 6P) – cable fitted and potted to sensor																							3					
<b>Cable conduits **</b>																												
M20 x 1.5 (plastic)																							A					
NPT ½ in. (blanked when cable not fitted)																							B					
M20 SWA (armored)																							D					
M20 SWA sensor, M20 x 1.5 (plastic) power / output																							F					
Without																							Y					
<b>Power supply</b>																												
Without																							0					
100 to 230 V AC, 50 Hz																							1					
24 V AC or 24 V DC, 50 Hz																							2					
100 to 230 V AC, 60 Hz																							3					
24 V AC or 24 V DC, 60 Hz																							4					
<b>Input and output signal type</b>																												
HART + 20 mA + pulse + contact output																							A					
PROFIBUS DP RS485 physical layer + pulse + contact output																							G					
MODBUS RTU RS485 physical layer + pulse + contact output																							M					
Without																							Y					
<b>Configuration type / diagnostics type</b>																												
Not required																							0					
Factory default / Standard																							1					
<b>Options***</b>																												
<b>Accessories</b>																												
Configuration lead												AC																
<b>Documentation language</b>																												
German M1												Chinese M6																
Italian M2												Swedish M7																
Spanish M3												Finnish M8																
French M4												Portuguese MA																
English M5 (default)												Danish MF																
												Norwegian MN																
<b>Lay length</b>																												
ISO length – DN10 to 600 (¾ to 24 in.) and 1.25D DN1800 to 2400 (72 to 96 in.)																							JB					
1.3D DN700 to 2400 (28 to 96 in.) – see dimensional pages 27, 28, 29																							JK					
1.0D DN700 to 1600 (28 to 64 in.) – see dimensional pages 27, 28, 29																							JH					
<b>Verification type</b>																												
Without fingerprint												V0																
VeriMaster												V3																
<b>Potable water approval</b>																												
WRAS cold water approval												CWA																
DVGW												CWD																
WRAS 60 °C (140 °F) water approval												CWK																
NSF material approval												CWM																
Without												CWY																
<b>Power supply frequency (sensor FEW38 only)</b>																												
50 Hz												F5																
60 Hz												F6																
<b>Number of testpoints</b>																												
1 Point												T1																
3 Points												T3																
5 Points												T5																

\* FM approval in process. FEF product still available with full FM approval

\*\* The type of signal cable supplied (standard or armored) depends on the type of cable conduit (variant digit number 24) ordered. For FM or FMC Approved versions, NPT only permitted.

\*\*\* Add codes for options.

## ...Ordering information

### WaterMaster FER reduced-bore sensor flowmeter series

Product coding field number	1 ... 6	7 ... 9	10	11	12	13	14,15	16	17	18	19	20	21	22	23	24	25	26	27	Options	
<b>WaterMaster system. Reduced-bore sensor with remote mounted transmitter</b>	FER121																				
<b>WaterMaster system. Reduced-bore sensor with integral transmitter</b>	FER111	XXX	X	X	X	X	XX	X	X	X	X	X	X	X	X	X	X	X	X		
<b>WaterMaster reduced-bore sensor only, remote mount, without transmitter</b>	FER181																				
<b>Bore diameter</b>																					
DN 40 (1½ in.)		040																			
DN 50 (2 in.)		050																			
DN 65 (2½ in.)		065																			
DN 80 (3 in.)		080																			
DN 100 (4 in.)		100																			
DN 125 (5 in.)		125																			
DN 150 (6 in.)		150																			
DN 200 (8 in.)		200																			
DN 250 (10 in.)		250																			
DN 300 (12 in.)		300																			
DN 350 (14 in.)		350																			
DN 375 (15 in.)		375																			
DN 400 (16 in.)		400																			
DN 450 (18 in.)		450																			
DN 500 (20 in.)		500																			
DN 600 (24 in.)		600																			
<b>Liner material</b>																					
Elastomer – DN40 to 600 (1½ to 24 in. NB)				K																	
<b>Electrode design</b>																					
Standard					1																
<b>Measuring electrodes material</b>																					
Stainless steel 316																					S
Super austenitic steel (1.4529)																					U
<b>Grounding accessories</b>																					
1 x Stainless steel equalizing ring																					3
2 x Stainless steel equalizing rings																					4
<b>Process connection type (refer to pages 30 and 30)</b>																					
Flanges ANSI / ASME B16.5 / 16.47 series B Class 150		(40 / 50 / 80 / 100 / 150 to 300)																			A1
Flanges AWWA C207 Class E		(40 / 50 / 80)																			C3
Flanges JIS 7.5K		(100 / 150 to 300)																			J0
Flanges JIS 10K		(40 / 50 / 80 / 100 / 150 to 300)																			J1
Flanges AS 4087 PN 21		(50 / 80 / 100 / 150 to 600)																			E0
Flanges AS 4087 PN 16		(50 / 80 / 100 / 150 to 350 / 450 to 600)																			E1
Flanges AS 4087 PN 14		(40 / 50 / 80 / 100 / 150 to 600)																			E2
Flanges AS 2129 Table F		(40 / 50 / 80 / 100 / 150 to 600)																			E3
Flanges AS 2129 Table E		(40 / 50 / 80 / 100 / 125 / 150 to 600)																			E4
Flanges AS 2129 Table D		(40 / 50 / 80 / 100 / 150 to 300)																			E5
Flanges AS 2129 Table C		(40 / 50 / 80 / 100 / 150 to 300)																			E6
ISO 7005 PN 10 EN 1092-1		(40 to 600)																			S1
ISO 7005 PN 16 EN 1092-1		(40 to 600)																			S2
ISO 7005 PN 40 EN 1092-1		(40)																			S4
<b>Process connection material</b>																					
Carbon steel																					B
<b>Usage certifications</b>																					
Standard																					1

Continued on next page...

Product coding field number	1 ... 6	7 ... 9	10	11	12	13	14,15	16	17	18	19	20	21	22	23	24	25	26	27	Options	
<b>WaterMaster system. Reduced-bore sensor with remote mounted transmitter</b>	FER121																				
<b>WaterMaster system. Reduced-bore sensor with integral transmitter</b>	FER111	XXX	X	X	X	X	XX	X	X	X	X	X	X	X	X	X	X	X	X		
<b>WaterMaster reduced-bore sensor only, remote mount, without transmitter</b>	FER181																				
<b>Calibration type</b>											A										
Class 2 calibration – standard accuracy 0.4 %											B										
Class 1 calibration – high accuracy 0.2											N										
Extended range, class 1 calibration – high accuracy 0.2 %											P										
Extended range, class 2 calibration – standard accuracy 0.4 %																					
<b>Installation temperature range / ambient temperature range</b>											1										
Standard design –20 to 60 °C (–4 to 140 °F)																					
<b>Name plate</b>											A										
Adhesive label																					
<b>Signal cable length and type</b>											0										
Without signal cable											1										
5 m (16.4 ft)											2										
10 m (32.8 ft)											3										
20 m (65.6 ft)											4										
30 m (98.4 ft)											5										
50 m (164.0 ft)											6										
80 m (262.5 ft)											7										
100 m (325 ft)											8										
150 m (490 ft)											9										
Others																					
<b>Explosion protection certification</b>											A										
General purpose (non-Ex design)																					
<b>Protection class transmitter / protection class sensor</b>											2										
IP67 (NEMA 4X) / IP68 (NEMA 6P) – cable not fitted and not potted											3										
IP67 (NEMA 4X) / IP68 (NEMA 6P) – cable fitted and potted																					
<b>Cable conduits*</b>											A										
M20 x 1.5											B										
NPT ½ in (blanked when cable not fitted)											D										
M20 SWA armored (FEV121 and FEV181 only)											F										
M20 SWA sensor, output and power connector (FEV121 and FEV181 only)																					
<b>Power supply</b>											0										
Without (FEV18 only)											1										
100... 230 V AC, 50 Hz											2										
24 V AC or 24 V DC, 50 Hz											3										
100... 230 V AC, 60 Hz											4										
24 V AC or 24 V DC, 60 Hz																					
<b>Input and output signal type</b>											A										
HART + 20 mA + pulse + contact output											G										
PROFIBUS DP RS485 physical layer + pulse + contact output (FEV111 and FEV121 only)											M										
MODBUS RTU RS485 physical layer + pulse + contact output (FEV111 and FEV121 only)											Y										
Without (FEV181 only)																					
<b>Configuration type / diagnostics type</b>											0										
Without (FEV18 only)											1										
Factory defaults / standard diagnostics (FEV11 and FEV12 only)																					
<b>Options**</b>																					
<b>Documentation language</b>																					
German M1	French	M4	Portuguese	MA																	
Italian M2	English (default)	M5	Russian	MB																	
Spanish M3	Chinese	M6	Danish	MF																	
<b>Verification type</b>																					
Without fingerprint											V0										
VeriMaster											V3										
<b>Potable water approval</b>																					
WRAS cold water approval											CWA										
DVGW											CWD										
ACS											CWF										
<b>Power supply frequency (sensor FER18 only)</b>																					
50 Hz											F5										
60 Hz											F6										

\* The type of signal cable supplied (standard or armored) depends on the type of cable conduit (variant digit number 24) ordered.

For FM or FMC Approved versions, NPT only permitted.

\*\*Add codes for options.

## ...Ordering information

### Electromagnetic flowmeter transmitter for WaterMaster FET10 and FET12

		Product coding field number										Options
		1	2	3	4	5	6	7	8	9	10	
<b>Transmitter module</b>		FET10										
<b>Remote transmitter</b>		FET12										
<b>Design</b>												
Non-hazardous area		1										
Hazardous area		5										
<b>Temperature range installation / ambient temperature range</b>												
Standard design / -20 to 60 °C (-4 to 140 °F)		1										
<b>Nameplate</b>												
Adhesive		A										
<b>Signal cable length and type</b>												
Without signal cable		0										
<b>Explosion protection certification</b>												
Without (transmitter only)		Y										
FM Class 1 Div. 2		G										
usFMc Class 1 Div. 2		P										
ATEX / IECEx Zone 2, 21 & 22		M										
<b>Protection class transmitter / protection class sensor</b>												
IP67 (NEMA 4X) / IP67 (NEMA 4X)		1										
<b>Cable conduits</b>												
M20 x 1.5 (plastic)		A										
NPT ½ in. (blanked when cable not fitted)		B										
M20 SWA (armored)		D										
M20 SWA sensor, M20 x 1.5 (plastic) power / output		F										
Without		Y										
<b>Power supply</b>												
100 to 230 V AC		1										
24 V AC or 24 V DC		2										
<b>Input and output signal type*</b>												
HART + 20 mA + pulse + contact output		A										
PROFIBUS DP RS485 physical layer + pulse + contact output		G										
MODBUS RTU RS485 physical layer + pulse + contact output		M										
<b>Configuration type / diagnostics type</b>												
Factory defaults / standard diagnostics		1										
<b>Options**</b>												
<b>Accessories</b>												
Configuration lead		AC										
<b>Documentation language</b>												
German	M1	Chinese	M6									
Italian	M2	Swedish	M7									
Spanish	M3	Finnish	M8									
French	M4	Portuguese	MA									
English	M5 (default)	Danish	MF									
		Norwegian	MN									
<b>Other usage</b>												
Measuring Instruments Directive (MID)		CM1										

\*The transmitter converter module Input and Output Signal Type must match the transmitter backplane output configuration (HART or PROFIBUS) – see OI/FET100-EN.

\*\*Add codes for options.



## Common accessories

Accessory	Item number
WaterMaster AC Fuse F1 Type T 250 mA A/S TR5	B20411
WaterMaster DC Fuse F2 Type T 2 A A/S TR5	B20412
WaterMaster Infra Red Comms Pack	MJBX9932
WaterMaster Backplane PCB Board (STD)	WATX2505
WaterMaster Sensor PCB Board	WATX2506
WaterMaster Comms Cable	WEBC2500
Signal cable for remote WaterMaster transmitter	
5 m (15 ft.)	STT4500/05
10 m (30 ft.)	STT4500/10
20 m (60 ft.)	STT4500/20
30 m (100 ft.)	STT4500/30
50 m (165 ft.)	STT4500/50
80 m (260 ft.)	STT4500/80
100 m (325 ft.)	STT4500/100
150 m (490 ft.)	STT4500/150
500 m (1650 ft.)	STT4500/500
Armored signal cable for remote WaterMaster transmitter	
5 m (15 ft.)	STT4501/05
10 m (30 ft.)	STT4501/10
20 m (60 ft.)	STT4501/20
30 m (100 ft.)	STT4501/30
50 m (165 ft.)	STT4501/50
80 m (260 ft.)	STT4501/80
100 m (325 ft.)	STT4501/100
150 m (490 ft.)	STT4501/150
500 m (1650 ft.)	STT4501/500

## Acknowledgements

Microsoft is a registered trademark of Microsoft Corporation in the United States and/or other countries

Modbus is a registered trademark of the Modbus-IDA organization

HART is a registered trademark of the HART Communication Foundation

---

## Notes

Sales



Service



Software





---

**ABB Limited**  
**Measurement & Analytics**

Oldends Lane  
Stonehouse  
Gloucestershire GL10 3TA  
UK  
Tel: +44 (0)1453 826661  
Fax: +44 (0)1453 829671

**ABB Inc.**  
**Measurement & Analytics**

125 E. County Line Road  
Warminster, PA 18974  
USA  
Tel: +1 215 674 6000  
Fax: +1 215 674 7183

[abb.com/measurement](http://abb.com/measurement)

---

**ABB Engineering (Shanghai) Ltd.**  
**Measurement & Analytics**

No. 5, Lane 369, Chuangye Road  
201319, Shanghai,  
P.R. China  
Phone: +86 (0) 21 6105 6666  
Fax: +86 (0) 21 6105 6992  
Mail:china.instrumentation@cn.abb.com